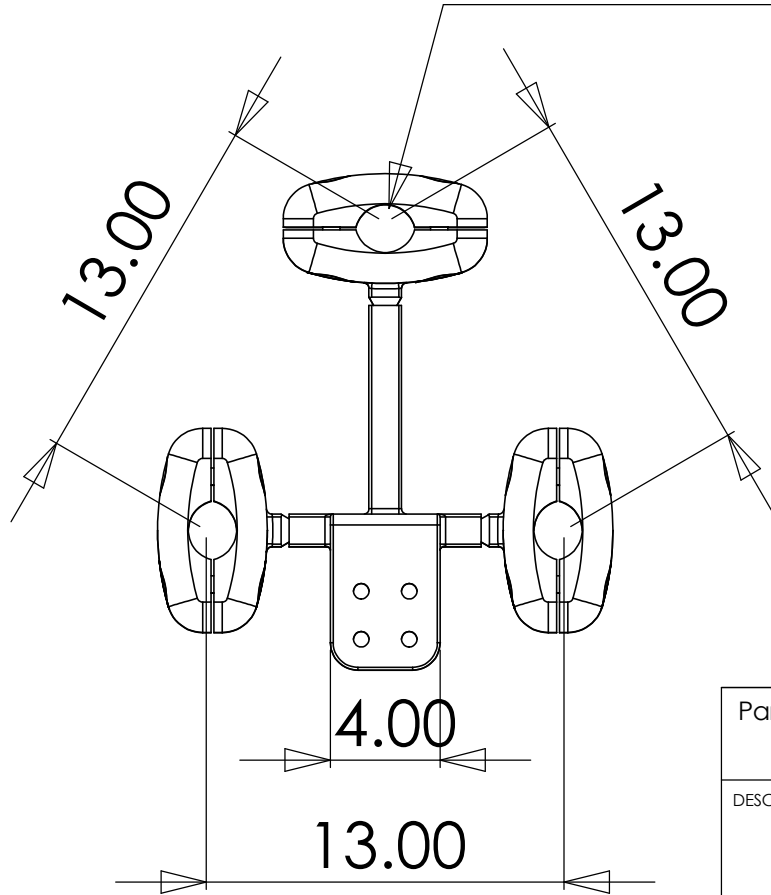


16.60

2000AAC

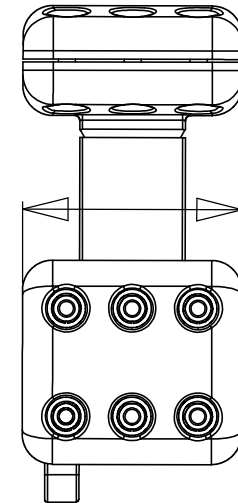
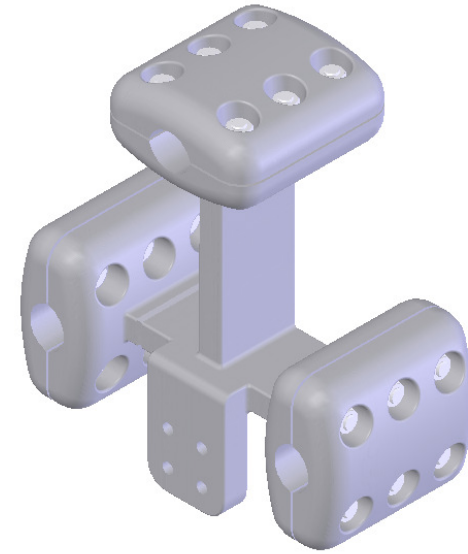


13.00

13.00

4.00

13.00



8.00

Part Number:
11-262-3C-90(13)-EHV(2000AAC)

DESCRIPTION:
AL BOLTED TERM (3) 2000AAC
TO A 90 DEGREE 4X4 PAD (EHV)

UNLESS OTHERWISE SPECIFIED:		NAME	DATE
DIMENSIONS ARE IN INCHES TOLERANCES: $\pm 1/16"$ ANGULAR: $\pm .5$ DEG	DRAWN	TM	7/9/2009
	CHECKED		
MATERIAL: 356-T6	SCALE:	WEIGHT:	



PROPRIETARY AND CONFIDENTIAL

THE INFORMATION CONTAINED IN THIS DRAWING IS THE SOLE PROPERTY OF TRAVIS PATTERN & FOUNDRY. ANY REPRODUCTION IN PART OR AS A WHOLE WITHOUT THE WRITTEN PERMISSION OF TRAVIS PATTERN & FOUNDRY IS PROHIBITED.