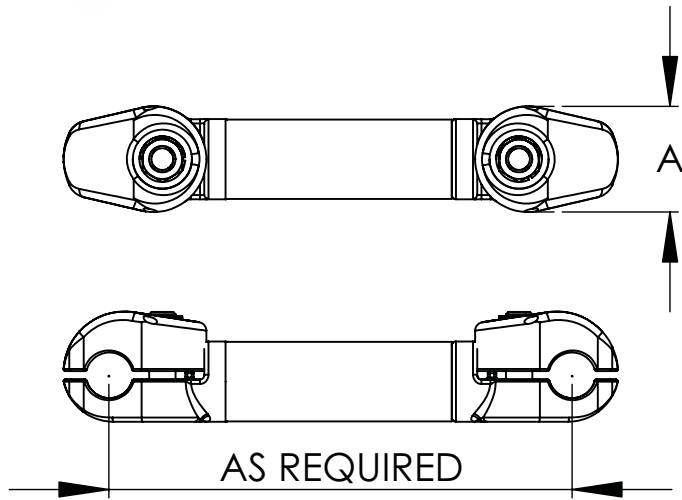


A high strength, high conductivity aluminum cable spacer, the Type EHV CSA includes clamping hardware made of high-tensile aluminum for dependability and durability in the field. To facilitate installation and aid in corona free performance, all bolt heads are captivated. When placing an order please specify the desired center distance along with the specific conductor size. Example: 110-123-CS-12-EHV (2500AAC)



\*Specify center distance. (\*\*) Specify specific conductor size.

BOLTED EHV PARALLEL CABLE SPACER				
CATALOG NUMBER	DIMENSIONS IN			
	AAC	ACSR	DIA.	A
110-117-CS-*-345KV(**)	600-900	477-795	.953-1.162	2 1/2
110-119-CS-*-345KV(**)	900-1272	795-1113	1.094-1.364	2 1/2
110-121-CS-*-345KV(**)	1272-1590	1113-1431	1.289-1.547	3 3/4
110-123-CS-*-EHV(**)	1590-3500	1431-2156	1.459-2.16	3 3/4

Dimensions may vary depending on specific conductor size.