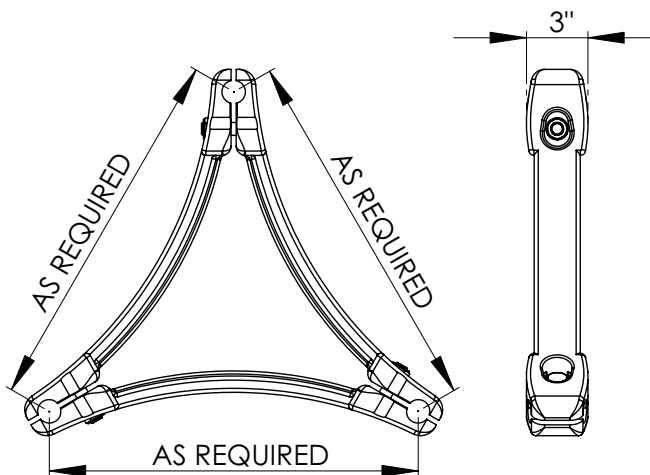




A high strength, high conductivity aluminum cable spacer, the Type EHV 3CSA includes clamping hardware made of high-tensile aluminum for dependability and durability in the field. To facilitate installation, all bolt heads are captivated. Corona free up to 500KV. When placing an order please provide the needed descriptors for the desired part.



*Specify center distance. (**) Specify specific conductor size.

BOLTED EHV PARALLEL TERMINALS, CABLE TO CABLE			
CATALOG NUMBER	DIMENSIONS IN INCHES		
	AAC	ACSR	DIA.
110-117-3CS-*-EHV(**)	600-900	477-795	.953-1.162
110-119-3CS-*-EHV(**)	900-1272	795-1113	1.094-1.364
110-121-3CS-*-EHV(**)	1272-1590	1113-1431	1.289-1.547
110-123-3CS-*-EHV(**)	1590-3500	1431-2156	1.459-2.16

Dimensions may vary depending on specific conductor size.

110-4E