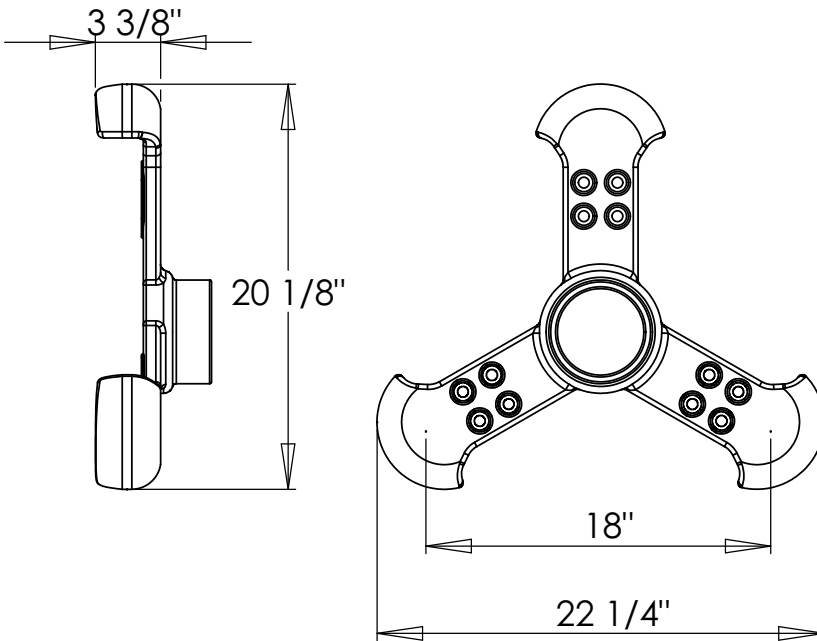
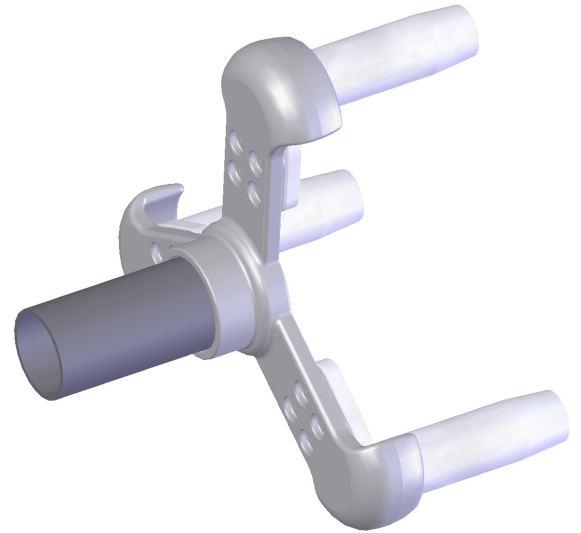


The pipe to cable trifurcating coupler is cast of high strength aluminum and is corona free up to 500KV. To include compression terminals into an order simply add the desired conductor size to the end of the item number. Example: TAC(5in)-18-90-EHV(2000AAC) Contact sealant is recommended.



* Specify desired IPS.

TRIFURCATING COUPLER PIPE TO PAD	
CATALOG NUMBER	CABLE SPACING
TAC(*)-18-90-EHV	18

112-11E