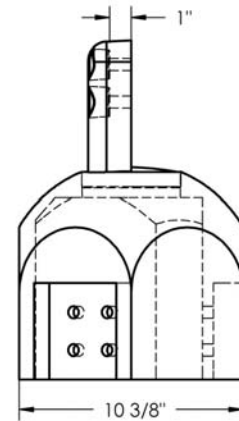
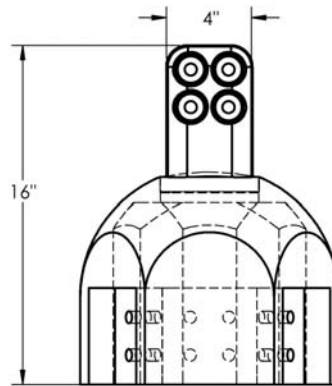
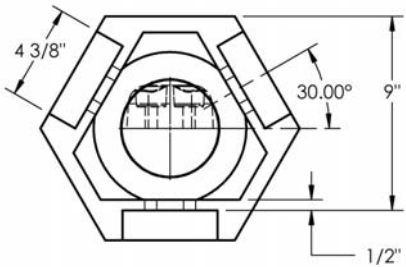




The pad to pad trifurcating connectors are cast of a high strength aluminum alloy and are capable of providing a corona free environment through 500KV. Standard connectors are supplied with one shield (W1S).

Mounting hardware and additional hardware shields are available, but must be ordered separately. Contact sealant is recommended. If a second hardware shield is desired with the part, simply replace W1S with W2S.



TRIFURCATING TERMINAL SINGLE TO TRIPLE FLAT PADS	
CATALOG NUMBER	PAD STYLE
TAT-9-EHV-W1S	D