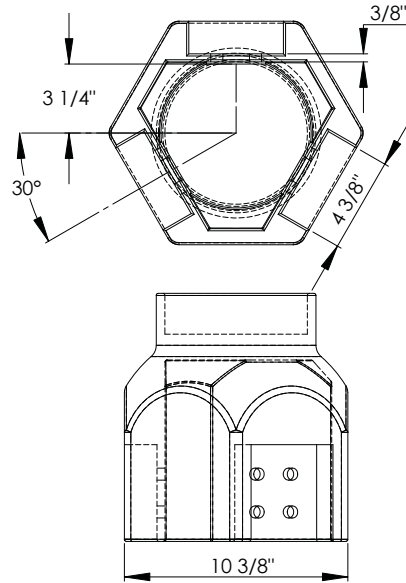


The pipe to pad trifurcating coupler is cast of high strength aluminum alloy, and is capable of corona free performance up to 500KV. Compression terminals must not have a pad thickness larger then 1 in. Contact sealant is recommended. Hardware shields are not required.



TRIFURCATING COUPLERS PIPE TO PAD	
CATALOG NUMBER	PIPE SIZE
TAC(3IN)-9-EHV	3
TAC(3 1/2 IN)-9-EHV	3 1/2
TAC(4IN)-9-EHV	4
TAC(5IN)-9-EHV	5
TAC(6IN)-9-EHV	6