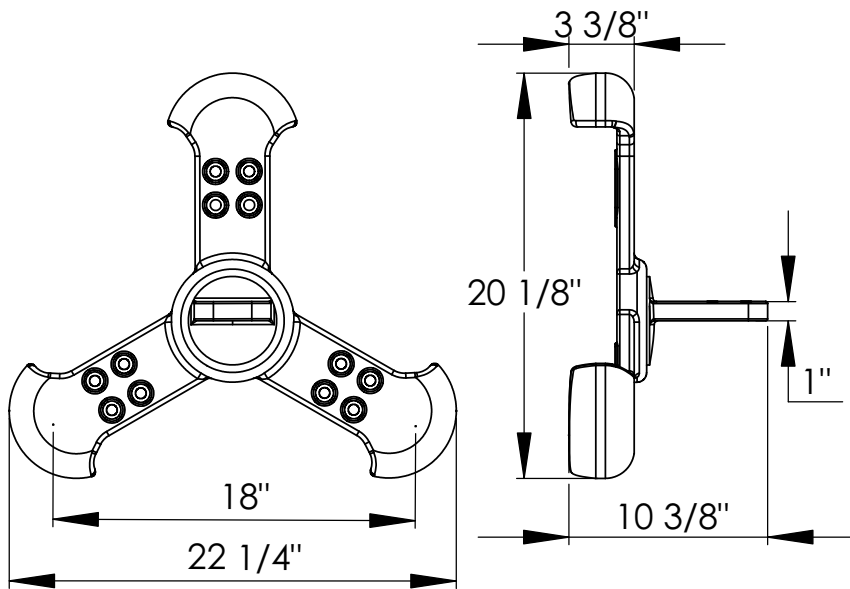
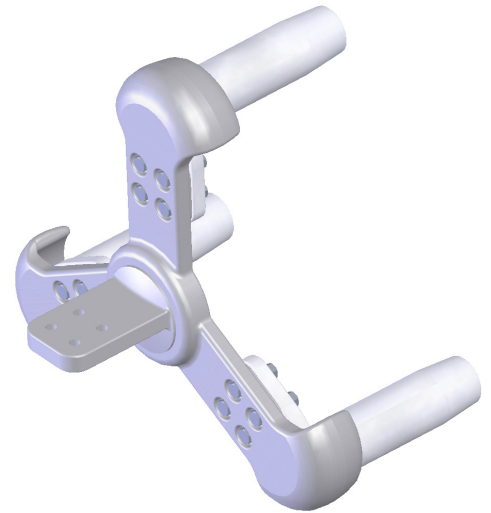


The pad to cable trifurcating terminal is cast of high strength aluminum and is corona free up to 500KV. To include compression terminals into an order simply add the desired conductor size to the end of the item number. Example: TAT-18-90-EHV(2000AAC) Contact sealant is recommended.



TRIFURCATING TERMINAL PAD TO PAD	
CATALOG NUMBER	CABLE SPACING
TAT-18-90-EHV	18

112-9E