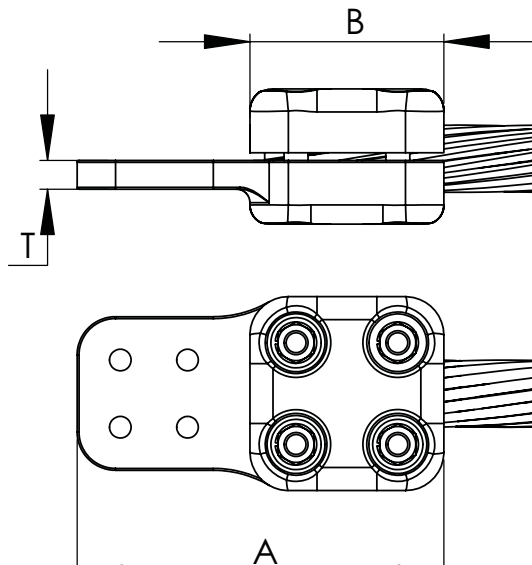


Cast of a lightweight aluminum alloy, the Type EHV ATU terminals provide a corona free environment at 345 KV and 500 KV. All hardware is completely recessed and bolt heads are captivated to facilitate single-wrench installation. Bolt shields, which must be used to assure corona free performance, are available but must be ordered separately. Contact sealant is recommended. Side formed NEMA pads are standard.



Side Formed (-SF-)



Center Formed (STANDARD)

Note: When placing an order, specific conductor size must be provided. For side formed pads use descriptor -SF-. For example a side formed terminal for a 1033.5 AAC conductor should appear as “11-133-SF-EHV(1033.5AAC)” while a side formed terminal for a 1272 ACSR conductor would appear as “11-136-EHV(1272ACSR)”

For conductors 2000AAC/1590ACSR and up, a six bolt configuration will be used



\*Specify specific conductor size.

BOLTED EHV TERMINAL CABLE TO FLAT PAD							
CATALOG NUMBER	DIMENSIONS IN INCHES			DIA.	A	B	T
	AAC	ACSR					
11-127-EHV-*	874.5-1033.5	715.5-795	1.072-1.172	8 1/4	4	3/4	
11-133-EHV-*	1033.5-1272	795-1113	1.172-1.282	8 1/2	4 1/4	3/4	
11-136-EHV-*	1272-1590	1113-1431	1.282-1.445	8 3/4	4 1/2	3/4	
11-139-EHV-*	1590-2500	1431-2167	1.445-1.824	9 3/4	5	7/8	

Dimensions are approximate as they will vary with conductor sizes.

**11-1E**