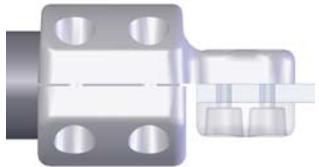




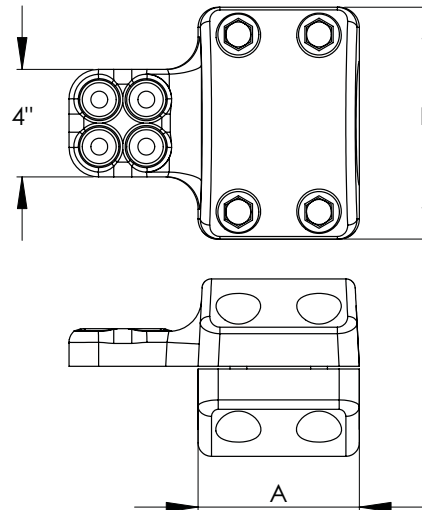
Cast of a high conductivity aluminum alloy, the Type EHV AT was designed to eliminate corona when transitioning from a flat terminal to a pipe. All hardware is recessed, and bolt heads are captivated to permit single-wrench installation. One hardware shield comes standard as it is cast into the part. Center formed NEMA pads are standard but side formed pads may be ordered by adding the descriptor “-SF-“. For example a center formed terminal connecting to a 3” pipe would be expressed as “11-202-EHV” where as a side formed terminal connecting to a 3” pipe would be expressed as “11-202-SF-EHV”.



Side Formed (-SF-)



Center Formed (STANDARD)



BOLTED EHV TERMINAL PIPE TO FLAT PAD			
CATALOG NUMBER	IPS MAIN	DIMENSIONS IN INCHES	
		A	B
11-196-EHV	2	4	5 3/8
11-199-EHV	2 1/2	4 3/8	7 1/8
11-202-EHV	3	5	7 1/4
11-205-EHV	3 1/2	5 3/8	8
11-208-EHV	4	6	8 5/8
11-214-EHV	5	6 5/8	9 1/2
11-217-EHV	6	7 1/8	11 3/8

# 11-2E