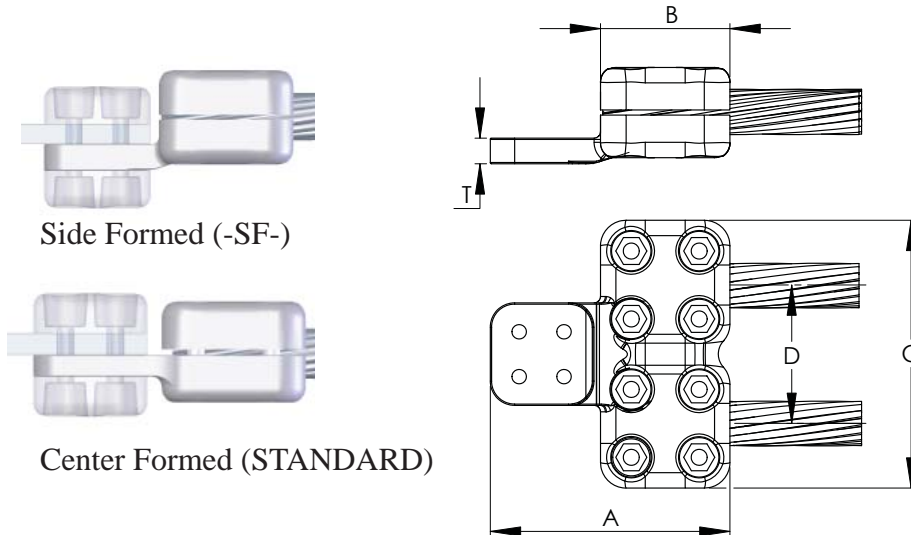


Cast of a lightweight aluminum alloy these terminals provide a corona free environment at 345 KV. All hardware is completely recessed and bolt heads are captivated to facilitate single-wrench installation. Bolt shields, which must be used to assure corona free performance, are available but must be ordered separately. Contact sealant is recommended. Center formed NEMA pads are standard.



For conductors 2000AAC/
1590ACSR and up, a six bolt
configuration will be used



Side Formed (-SF-)

Center Formed (STANDARD)

Note: When placing an order, specific conductor size must be provided. For side formed pads use descriptor -SF-. For example a side formed terminal for a 1033.5 AAC conductor should appear as “11-253-SF-EHV(1033.5AAC)” while a center formed terminal for a 1272 ACSR conductor would appear as “11-256-EHV(1272ACSR)”

*Specify specific conductor size.

BOLTED EHV TERMINAL DOUBLE CABLE TO FLAT PAD								
CATALOG	DIMENSIONS IN INCHES							
NUMBER	AAC	ACSR	DIA.	A	B	C	D	T
11-250-EHV-*	874.5-1033.5	715.5-795	1.072-1.172	8 1/4	4	8 2/5	4 2/5	3/4
11-253-EHV-*	1033.5-1272	795-1113	1.172-1.282	8 1/2	4 1/4	8 8/9	4 2/3	3/4
11-256-EHV-*	1272-1590	1113-1431	1.282-1.445	8 3/4	4 1/2	9 4/9	4 8/9	3/4
11-262-EHV-*	1590-3000	1431-2167	1.445-1.996	9 3/4	5	10 1/2	5 1/2	1

Dimensions are approximate as they will vary with conductor sizes.