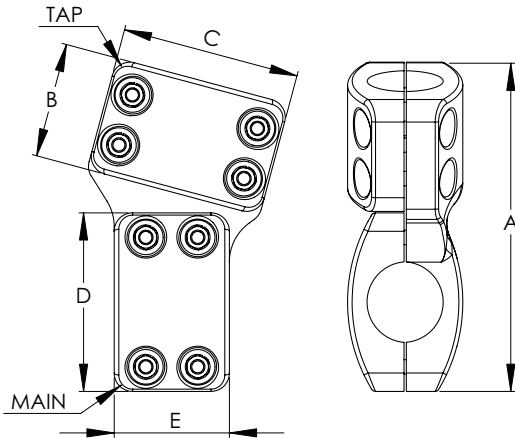


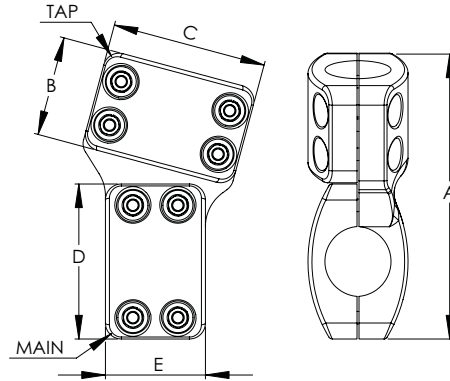
Cast of lightweight aluminum alloy, the Type EHV APTA adapts to situations requiring the junction of a pipe main to a tap whose angle varies from the perpendicular. These terminals are designed to provide a corona free environment at voltage levels up to 500KV. All clamping hardware is made of high tensile aluminum.



In ordering the Type EHV APTA tee connector, the varying angle must be written as a descriptor within the catalog number. A 15° angle tap for catalog number 12-394-EHV, for example, should appear as 12-394-15-EHV.

| BOLTED EHV TEE TERMINAL PIPE TO ANGLED PIPE | | | | | | | |
|---|-------|-------|----------------------|-------|-------|-------|-------|
| CATALOG NUMBER | IPS | | DIMENSIONS IN INCHES | | | | |
| | MAIN | TAP | A | B | C | D | E |
| 12-394-EHV | 2 | 2 | 10 5/8 | 4 | 5 3/8 | 4 | 5 3/8 |
| 12-400-EHV | 2 1/2 | 2 | 12 3/8 | 4 | 5 3/8 | 4 3/8 | 7 1/8 |
| 12-401-EHV | 2 1/2 | 2 1/2 | 12 3/4 | 4 3/8 | 7 1/8 | 4 3/8 | 7 1/8 |
| 12-407-EHV | 3 | 2 | 12 1/2 | 4 | 5 3/8 | 5 | 7 1/4 |
| 12-408-EHV | 3 | 2 1/2 | 12 7/8 | 4 3/8 | 7 1/8 | 5 | 7 1/4 |
| 12-409-EHV | 3 | 3 | 13 1/2 | 5 | 7 1/4 | 5 | 7 1/4 |
| 12-415-EHV | 3 1/2 | 2 | 13 1/4 | 4 | 5 3/8 | 5 3/8 | 8 |
| 12-416-EHV | 3 1/2 | 2 1/2 | 13 5/8 | 4 3/8 | 7 1/8 | 5 3/8 | 8 |
| 12-417-EHV | 3 1/2 | 3 | 14 1/4 | 5 | 7 1/4 | 5 3/8 | 8 |
| 12-418-EHV | 3 1/2 | 3 1/2 | 14 5/8 | 5 3/8 | 8 | 5 3/8 | 8 |

Continued on next page.



Continued from previous page.

| BOLTED EHV TEE TERMINAL PIPE TO ANGLED PIPE | | | | | | | |
|---|----------|---------|----------------------|-------|--------|-------|--------|
| CATALOG NUMBER | IPS MAIN | IPS TAP | DIMENSIONS IN INCHES | | | | |
| | | | A | B | C | D | E |
| 12-424-EHV | 4 | 2 | 13 7/8 | 4 | 5 3/8 | 6 | 8 5/8 |
| 12-425-EHV | 4 | 2 1/2 | 13 5/8 | 4 3/8 | 7 1/8 | 6 | 8 5/8 |
| 12-426-EHV | 4 | 3 | 14 1/4 | 5 | 7 1/4 | 6 | 8 5/8 |
| 12-427-EHV | 4 | 3 1/2 | 15 1/4 | 5 3/8 | 8 | 6 | 8 5/8 |
| 12-428-EHV | 4 | 4 | 15 7/8 | 6 | 8 5/8 | 6 | 8 5/8 |
| 12-445-EHV | 5 | 2 | 14 3/4 | 4 | 5 3/8 | 6 5/8 | 9 1/2 |
| 12-446-EHV | 5 | 2 1/2 | 15 1/8 | 4 3/8 | 7 1/8 | 6 5/8 | 9 1/2 |
| 12-447-EHV | 5 | 3 | 15 3/4 | 5 | 7 1/4 | 6 5/8 | 9 1/2 |
| 12-448-EHV | 5 | 3 1/2 | 16 1/8 | 5 3/8 | 8 | 6 5/8 | 9 1/2 |
| 12-449-EHV | 5 | 4 | 16 3/4 | 6 | 8 5/8 | 6 5/8 | 9 1/2 |
| 12-451-EHV | 5 | 5 | 17 3/8 | 6 5/8 | 9 1/2 | 6 5/8 | 9 1/2 |
| 12-457-EHV | 6 | 2 | 16 5/8 | 4 | 5 3/8 | 7 1/8 | 11 3/8 |
| 12-458-EHV | 6 | 2 1/2 | 17 | 4 3/8 | 7 1/8 | 7 1/8 | 11 3/8 |
| 12-459-EHV | 6 | 3 | 17 5/8 | 5 | 7 1/4 | 7 1/8 | 11 3/8 |
| 12-460-EHV | 6 | 3 1/2 | 18 | 5 3/8 | 8 | 7 1/8 | 11 3/8 |
| 12-461-EHV | 6 | 4 | 18 5/8 | 6 | 8 5/8 | 7 1/8 | 11 3/8 |
| 12-463-EHV | 6 | 5 | 19 1/4 | 6 5/8 | 9 1/2 | 7 1/8 | 11 3/8 |
| 12-464-EHV | 6 | 6 | 19 3/4 | 7 1/8 | 11 3/8 | 7 1/8 | 11 3/8 |

12-2E(Continued)