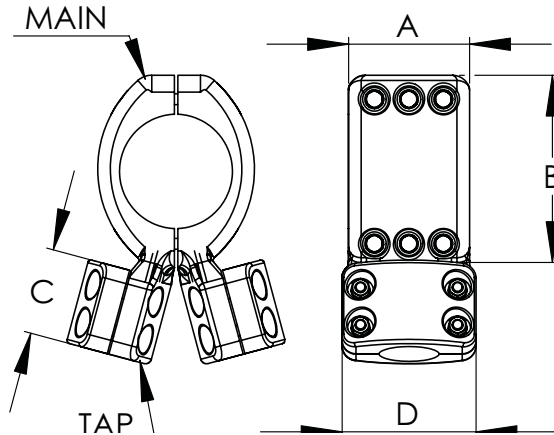
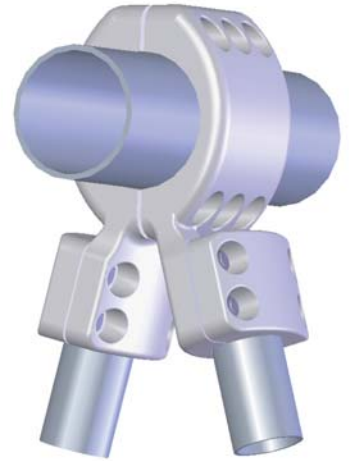


PRODUCT DESIGN UTILITY PIPE TO DOUBLE ANGLED PIPE, BOLTED

Cast of lightweight aluminum alloy, the Type EHV APTV is a strong lightweight connector for joining two taps to a single main. These terminals are designed to provide a corona free environment at voltage levels up to 500KV. All clamping hardware is recessed and made of high tensile aluminum.

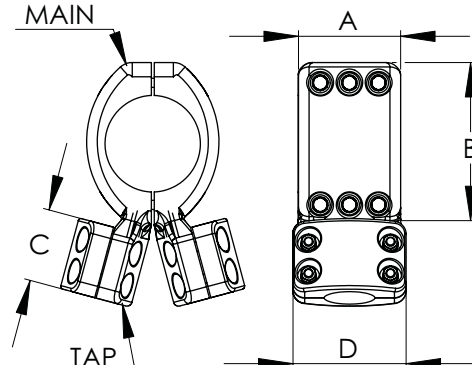


In ordering the Type EHV APTV connector, the varying angle must be written as a descriptor within the catalog number. A 15° angle tap for catalog number 12-576-EHV, for example, should appear as 12-576-15-EHV.

BOLTED EHV TEE TERMINAL PIPE TO DOUBLE ANGLED PIPE						
CATALOG NUMBER	IPS		DIMENSIONS IN INCHES			
	MAIN	TAP	A	B	C	D
12-576-EHV	2	2	4	5 3/8	4	5 3/8
12-582-EHV	2 1/2	2	4 3/8	7 1/8	4	5 3/8
12-583-EHV	2 1/2	2 1/2	4 3/8	7 1/8	4 3/8	7 1/8
12-589-EHV	3	2	5	7 1/4	4	5 3/8
12-590-EHV	3	2 1/2	5	7 1/4	4 3/8	7 1/8
12-591-EHV	3	3	5	7 1/4	5	7 1/4
12-597-EHV	3 1/2	2	5 3/8	8	4	5 3/8
12-598-EHV	3 1/2	2 1/2	5 3/8	8	4 3/8	7 1/8
12-599-EHV	3 1/2	3	5 3/8	8	5	7 1/4
12-600-EHV	3 1/2	3 1/2	5 3/8	8	5 3/8	8

Continued on next page.

12-3E



Continued from previous page.

BOLTED EHV TEE TERMINAL PIPE TO DOUBLE ANGLED PIPE						
CATALOG NUMBER	IPS MAIN	IPS TAP	DIMENSIONS IN INCHES			
			A	B	C	D
12-606-EHV	4	2	6	8 5/8	4	5 3/8
12-607-EHV	4	2 1/2	6	8 5/8	4 3/8	7 1/8
12-608-EHV	4	3	6	8 5/8	5	7 1/4
12-609-EHV	4	3 1/2	6	8 5/8	5 3/8	8
12-610-EHV	4	4	6	8 5/8	6	8 5/8
12-627-EHV	5	2	6 5/8	9 1/2	4	5 3/8
12-628-EHV	5	2 1/2	6 5/8	9 1/2	4 3/8	7 1/8
12-629-EHV	5	3	6 5/8	9 1/2	5	7 1/4
12-630-EHV	5	3 1/2	6 5/8	9 1/2	5 3/8	8
12-631-EHV	5	4	6 5/8	9 1/2	6	8 5/8
12-633-EHV	5	5	6 5/8	9 1/2	6 5/8	9 1/2
12-639-EHV	6	2	7 1/8	11 3/8	4	5 3/8
12-640-EHV	6	2 1/2	7 1/8	11 3/8	4 3/8	7 1/8
12-641-EHV	6	3	7 1/8	11 3/8	5	7 1/4
12-642-EHV	6	3 1/2	7 1/8	11 3/8	5 3/8	8
12-643-EHV	6	4	7 1/8	11 3/8	6	8 5/8
12-645-EHV	6	5	7 1/8	11 3/8	6 5/8	9 1/2
12-646-EHV	6	6	7 1/8	11 3/8	7 1/8	11 3/8