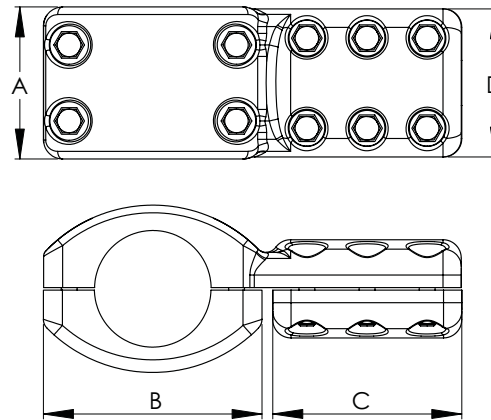


When a corona free and lightweight connector is necessary for joining a cable tap to a tubular main at extra high voltage levels, the Type EHV ATPC meets those requirements. Made of a highly conductive aluminum alloy, corona free performance can be expected at up to 500KV. These conductors offer captivated bolt heads that permit single-wrench installation. It is advisable to use contact sealant.



\*Specify specific conductor size.

BOLTED EHV TEE TERMINAL PIPE TO CABLE						
CATALOG NUMBER	IPS MAIN	AAC/ACSR TAP	A	B	C	D
			12-725-EHV-*	2 1/2	* Please Specify	4
12-730-EHV-*	3	* Please Specify	4 3/8	7 1/8	7 3/8	5 7/8
12-740-EHV-*	4	* Please Specify	4 3/8	7 1/8	7 3/8	5 7/8
12-750-EHV-*	5	* Please Specify	5	7 1/4	7 3/8	5 7/8
12-755-EHV-*	6	* Please Specify	5	7 1/4	7 3/8	5 7/8