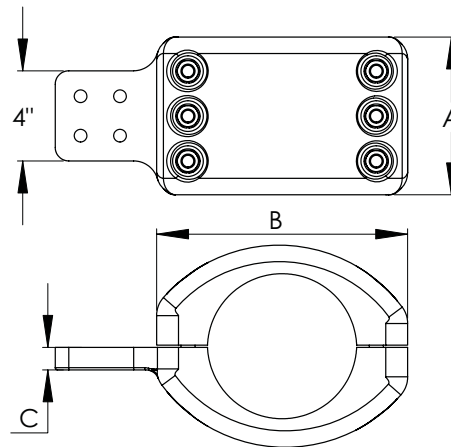


Manufactured of a strong, lightweight aluminum alloy, the Type EHV ATPB joins an aluminum tubing main to a flat pad. Designed with recessed hardware, these connectors provide corona free performance up to 500KV. Bolt shields, which must be used to assure corona free performance, are available but must be ordered separately. For clamping strength and resistance to corrosion, bolts, nuts, and lock-washers are high tensile aluminum. To facilitate installation, all bolt heads are recessed.



Shown here with available bolt shields (4X4EHV).



BOLTED EHV TEE TERMINAL PIPE TO FLAT PAD				
CATALOG NUMBER	IPS MAIN	DIMENSIONS IN INCHES		
		A	B	C
12-849-EHV	2 1/2	4 3/8	7 1/8	5/8
12-854-EHV	3	5	7 1/4	3/4
12-866-EHV	4	6	8 5/8	3/4
12-878-EHV	5	6 5/8	9 1/2	1
12-884-EHV	6	7 1/8	11 3/8	1