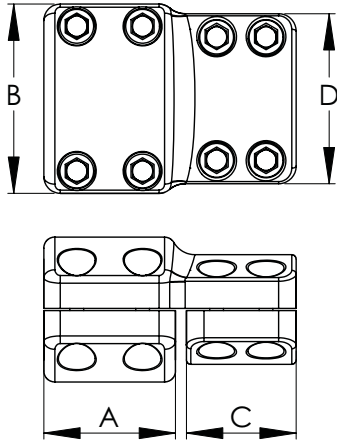
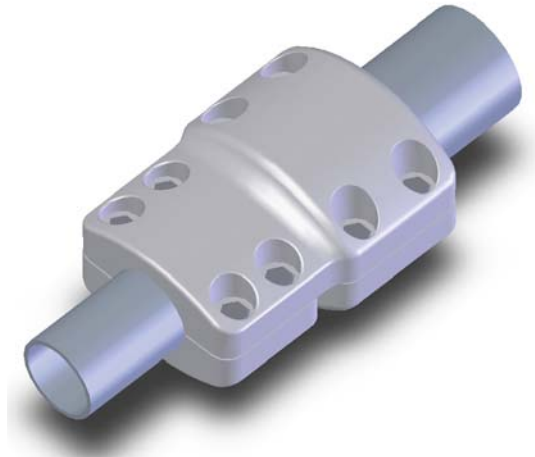


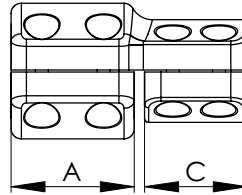
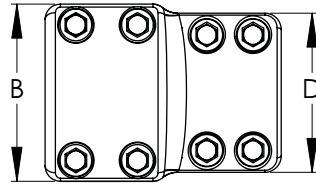
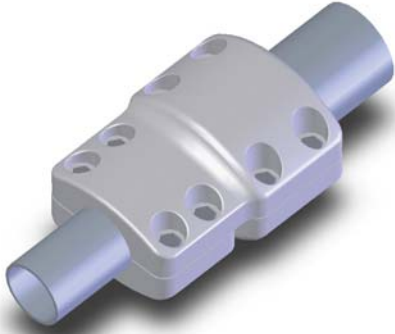
Cast of a lightweight aluminum alloy, Type EHV ARPP couples tubes of the same or different sizes end on end and is capable of providing corona free performance up to 500KV. Bolts, nuts, and lockwashers made of high tensile aluminum provide clamping efficiency and resistance to corrosion.. All bolt heads are captivated for single-wrench installation.



BOLTED EHV TERMINAL PIPE TO PIPE						
CATALOG NUMBER	PIPE		DIMENSIONS IN INCHES			
	MAIN	TAP	A	B	C	D
13-185-EHV	2	2	4	5 3/8	4	5 3/8
13-191-EHV	2 1/2	2 1/2	4 3/8	7 1/8	4 3/8	7 1/8
13-195-EHV	3	2	5	7 1/4	4	5 3/8
13-197-EHV	3	3	5	7 1/4	5	7 1/4
13-203-EHV	3 1/2	3 1/2	5 3/8	8	5 3/8	8
13-204-EHV	4	3	7 3/8	5 7/8	5	7 1/4
13-209-EHV	4	4	6	8 5/8	6	8 5/8
13-219-EHV	5	3	6 5/8	9 1/2	5	7 1/4

Continued on next page.

13-1E



Continued from previous page.

BOLTED EHV TERMINAL PIPE TO PIPE						
CATALOG NUMBER	PIPE		DIMENSIONS IN INCHES			
	MAIN	TAP	A	B	C	D
13-221-EHV	5	4	6 5/8	9 1/2	6	8 5/8
13-223-EHV	5	5	6 5/8	9 1/2	6 5/8	9 1/2
13-225-EHV	6	3	7 1/8	11 3/8	5	7 1/4
13-227-EHV	6	4	7 1/8	11 3/8	6	8 5/8
13-229-EHV	6	5	7 1/8	11 3/8	6 5/8	9 1/2
13-230-EHV	6	6	7 1/8	11 3/8	7 1/8	11 3/8