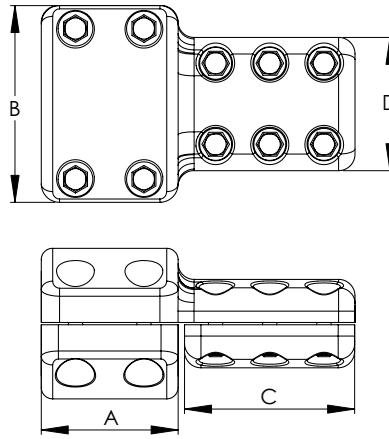


The lightweight aluminum Type EHV ARPC which efficiently joins a cable to a pipe features high strength aluminum clamping hardware and corona free performance at 345KV. A heavy duty connector, reliable and durable under conditions of electrical and environmental stress, it offers the added convenience of recessed bolt heads to facilitate single-wrench installation.



*Specify specific conductor size.

BOLTED EHV COUPLER TERMINAL PIPE TO CABLE							
CATALOG NUMBER	IPS MAIN	AAC TAP	ACSR TAP	DIMENSIONS IN INCHES			
				DAI.	A	B	C
13-300-345KV*	2 1/2	650-954	636-795	.928-1.125	8 1/4	4	8 2/5
13-301-345KV*	2 1/2	900-1272	715.5-1113	1.094-1.293	8 1/2	4 1/4	8 8/9
13-302-345KV*	2 1/2	1272-3000	1113-2167	1.293-1.998	9 3/4	5	10 1/2
13-305-345KV*	3	650-954	636-795	.928-1.125	8 1/4	4	8 2/5
13-306-345KV*	3	900-1272	715.5-1113	1.094-1.293	8 1/2	4 1/4	8 8/9
13-307-345KV*	3	1272-3000	1113-2167	1.293-1.998	9 3/4	5	10 1/2
13-314-345KV*	4	650-954	636-795	.928-1.125	9 1/4	4	8 2/5
13-315-345KV*	4	900-1272	715.5-1113	1.094-1.293	9 1/2	4 1/4	8 8/9
13-316-345KV*	4	1272-1590	1113-1431	1.293-1.465	9 3/4	4 1/2	9 4/9
13-317-345KV*	4	1590-3000	1431-2167	1.465-1.998	10 3/4	5	10 1/2
13-324-345KV*	5	650-954	636-795	.928-1.125	9 1/4	4	8 2/5
13-325-345KV*	5	900-1272	715.5-1113	1.094-1.293	9 1/2	4 1/4	8 8/9
13-326-345KV*	5	1272-1590	1113-1431	1.293-1.465	9 3/4	4 1/2	9 4/9
13-327-345KV*	5	1590-3000	1431-2167	1.465-1.998	10 3/4	5	10 1/2
13-330-345KV*	6	900-1272	715.5-1113	1.094-1.293	9 1/2	4 1/4	8 8/9
13-331-345KV*	6	1272-1590	1113-1431	1.293-1.465	9 3/4	4 1/2	9 4/9
13-332-345KV*	6	1590-3000	1431-2167	1.465-1.998	10 3/4	5	10 1/2

Dimensions are approximate as they will vary with conductor sizes.