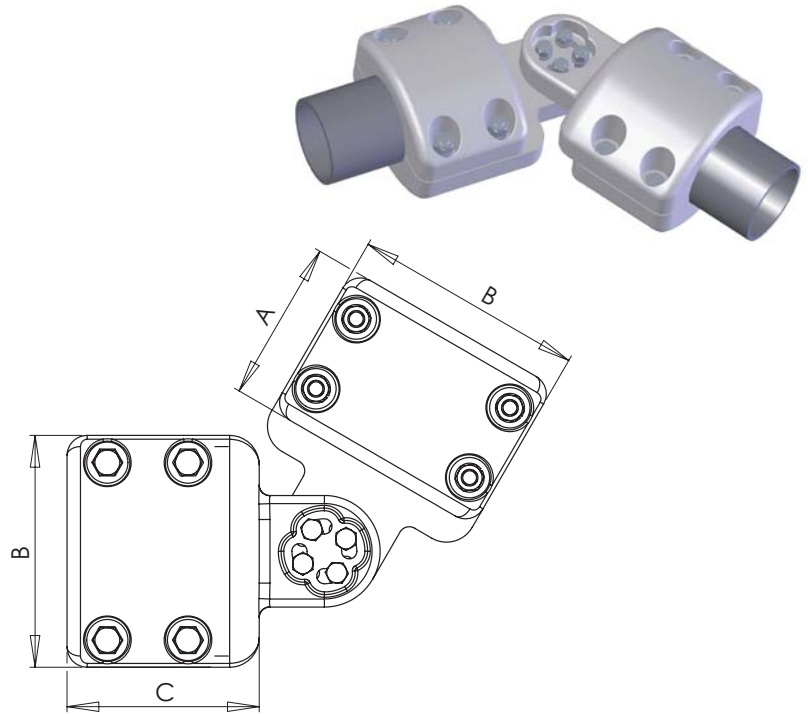


Made of a lightweight aluminum alloy, the Type EHV AEAPP offers strength and durability in situations requiring the connection of tubes of the same size at an angle. The high tensile aluminum clamping hardware effectively resists corrosion and enhances the strength of the connector. In addition, all bolt heads are captivated to permit single-wrench installation. Corona free at 500KV. The connector accommodates any angle between 0 and 60 degrees.



BOLTED EHV ADJUSTABLE ELBOW PIPE TO PIPE				
CATALOG NUMBER	PIPE MAIN	DIMENSIONS IN INCHES		
		A	B	C
13-429-VA-EHV	3	5	7 1/4	5 1/2
13-435-VA-EHV	3 1/2	5 3/8	8	5 7/8
13-441-VA-EHV	4	6	8 5/8	6 1/2
13-455-VA-EHV	5	6 5/8	9 1/2	7 1/8
13-462-VA-EHV	6	7 1/8	11 3/8	7 5/8