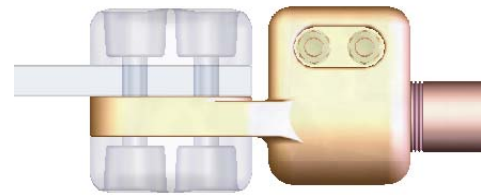
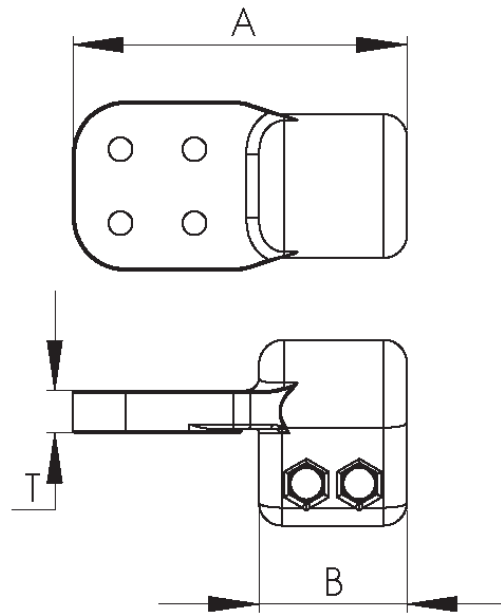
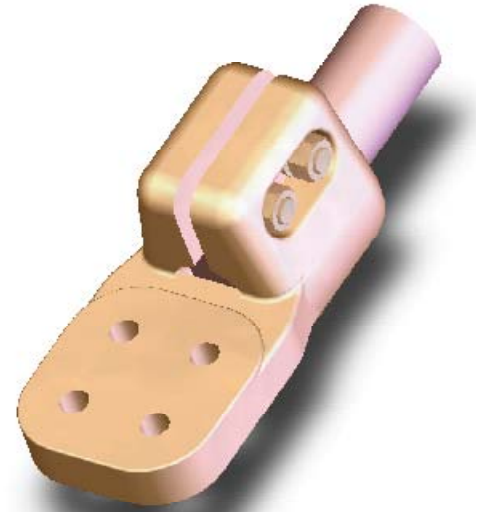


The EHV BSTB which joins a threaded stud to a flat bar bus offers strength and durability because of its high conductivity copper alloy casting and silicon bronze clamping hardware. Once coupled with bolt shields, which must be ordered separately, these connectors are capable of providing a corona free environment up to 345KV. If tin plating is desired simply add the suffix "-TP" to the part number. Unthreaded studs or stud sizes not listed must be specified with the order.



Shown here with available bolt shields.

BOLTED EHV TERMINAL PIPE TO PIPE				
CATALOG NUMBER	STUD SIZE	DIMENSIONS IN INCHES		
		A	B	T
14-338-EHV	1 1/8-12	8	3	3/4
14-343-EHV	1 1/4-12	8	3	1
14-348-EHV	1 1/2-12	8	3	1
14-358-EHV	2-12	8	3 1/2	1
14-370-EHV	2 1/2-12	8 1/8	3 1/2	1
14-380-EHV	3-12	9	4 1/2	1 1/8