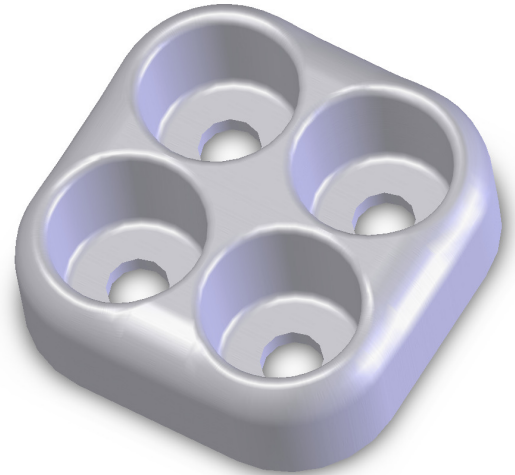
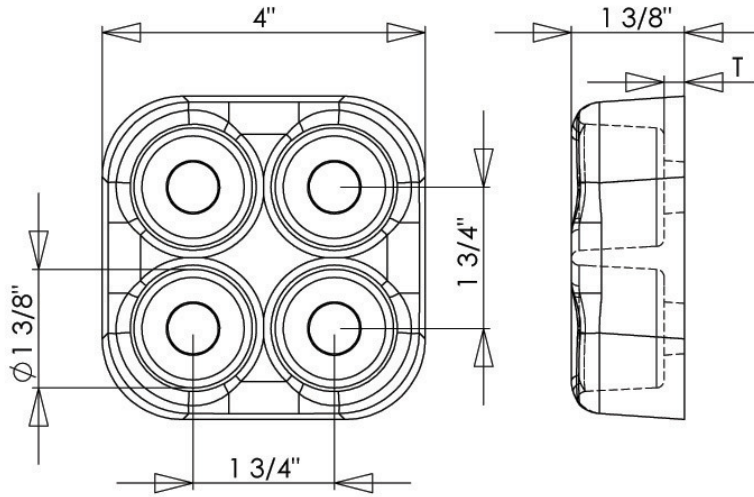


Hardware shields are cast of high strength aluminum alloy, and provide corona free performance up to 500KV. Hardware shields can also be used to cover 3"x3" pads provided there is enough clearance.



4X4 EHV



4X6 EHV

EHV HARDWARE SHIELD			
CATALOG NUMBER	PAD SIZE	WT (LBS.)	T
4X4EHV	4" X 4"	1.125	.2
4X6EHV	4" X 6"	1.80	.2