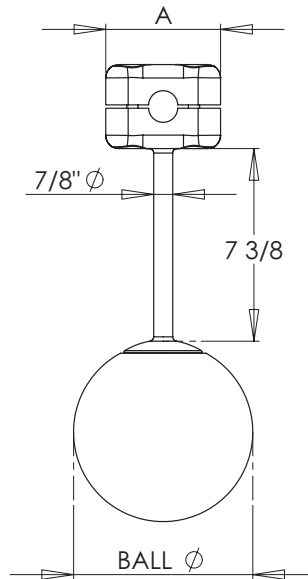




Manufactured of a strong, lightweight aluminum alloy, the Type EHV ACGS joins an aluminum cable main to a grounding stud. Designed with recessed hardware, these connectors provide corona free performance up to 500KV. For clamping strength and resistance to corrosion, bolts, nuts, and lockwashers are high tensile aluminum. To facilitate installation, all bolt heads are recessed. Please specify the cable size when ordering.



*Specify specific cable size

BOLTED EHV CABLE TO GROUNDING STUD					
CATALOG NUMBER	DIMENSIONS IN INCHES			DIMENSIONS IN INCHES	
	AAC	ACSR	DIA.	A	Ball Dia.
17-1302-345KV-*	874.5-954	715.5-795	1.078-1.172	4 1/2	8"
17-1303-345KV-*	900-1250	795-1113	1.094-1.282	5 1/8	8"
17-1304-EHV-*	1250-1600	1113-1431	1.282-1.465	5 7/8	12"
17-1305-EHV-*	1600-3000	1431-2167	1.465-1.998	5 7/8	12"