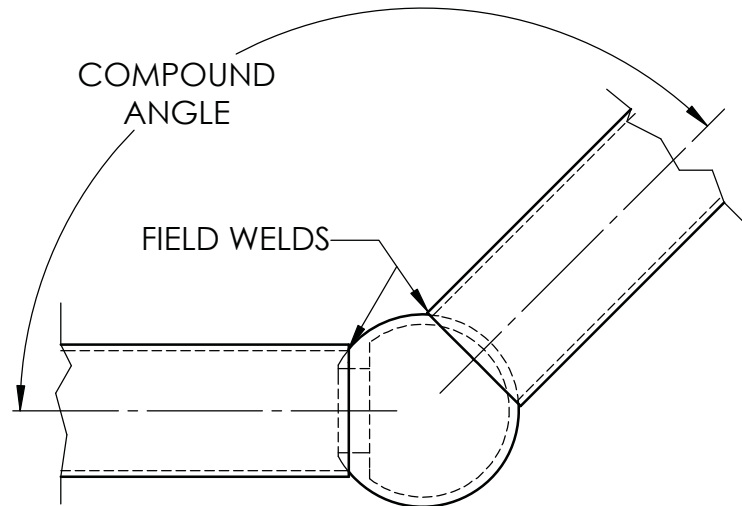
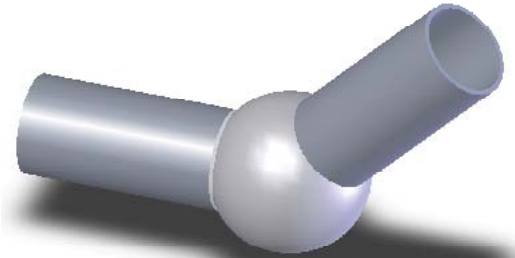


A connector for linking pipes at compound angles. The economical Type EHV MAC depends on its high conductivity, lightweight aluminum alloy casting for resistance to corrosion and stress in the field. These connectors are capable of corona free performance up to 500KV.



WELDED EHV ANGLED COUPLERS, PIPE TO PIPE			
CATALOG NUMBER	PIPE SIZE IPS	DIMENSIONS BALL DIA.	Max Voltage
18-MAC-5	1 1/2 - 4	5	230KV
18-MAC-8	3 - 5	8	345KV
18-MAC-12	5 - 6	12	500KV