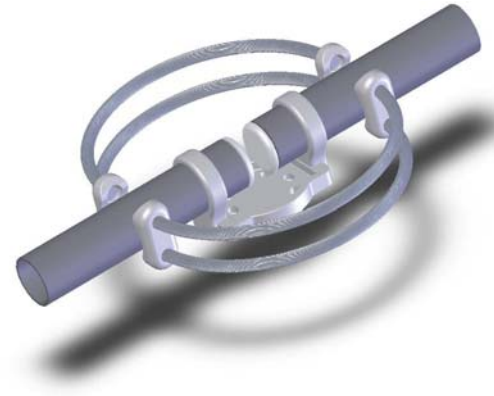
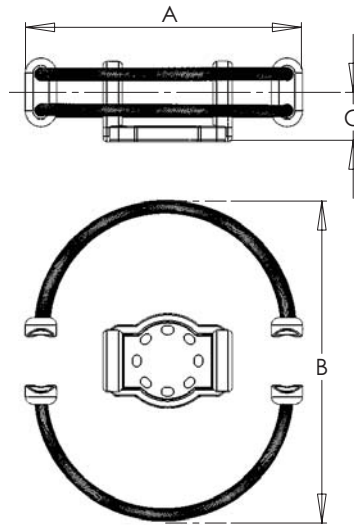


Type 345KV WES also compensates for temperature variations and thereby protects equipment bushings, switch gear, and insulators from expanding or contracting bus pressures. The flexible cables are designed to withstand the maximum current of the bus it connects. The aluminum cables are factory welded into the castings. Designed for corona free performance at extra high voltage levels these connectors are ideal for 345KV applications. End plugs are included.



WELDED EHV EXPANSION TERMINAL, COUPLER SUPPORT 345KV					
CATALOG	PIPE	BOLT	DIMENSIONS IN INCHES		
NUMBER	IPS	CIRCLE	A	B	C
18-1089-345KV	2	5	22	28	3 1/4
18-1089-7-345KV	2	7	22	28	3 1/4
18-1091-345KV	2 1/2	5	22	28	3 1/2
18-1091-7-345KV	2 1/2	7	22	28	3 1/2
18-1093-345KV	3	5	22	28	3 3/4
18-1093-7-345KV	3	7	22	28	3 3/4
18-1095-345KV	3 1/2	5	22	28	4
18-1095-7-345KV	3 1/2	7	22	28	4
18-1097-345KV	4	5	22	28	4 3/4
18-1097-7-345KV	4	7	22	28	4 3/4
18-1101-345KV	5	5	22	28	5 1/8
18-1101-7-345KV	5	7	22	28	5 1/8
18-1103-345KV	6	5	22	28	5 1/4
18-1103-7-345KV	6	7	22	28	5 1/4

18-13E-345