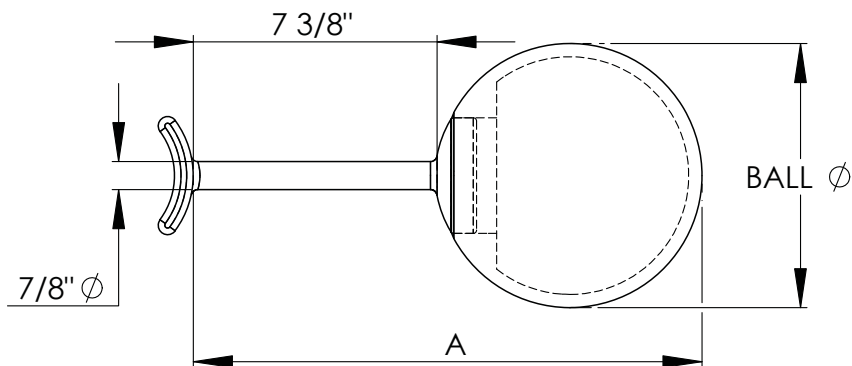


Lightweight and durable, the type EHV GS stud temporarily grounds out dead bus for purposes of safety during maintenance operations on substation equipment, and provides a corona free environment at 345KV through 500KV. When ordering please include the pipe size.

Example: 18-1280-345KV (3"IPS).



* Please include pipe size.

WELDED EHV GROUNDING STUDS			
CATALOG NUMBER	PIPE IPS	BALL DIA	DIMENSIONS IN INCHES
			A
18-1280-345KV (*IPS)	1-6	8	15 3/8
18-1280-EHV (*IPS)	1-6	12	19 3/8