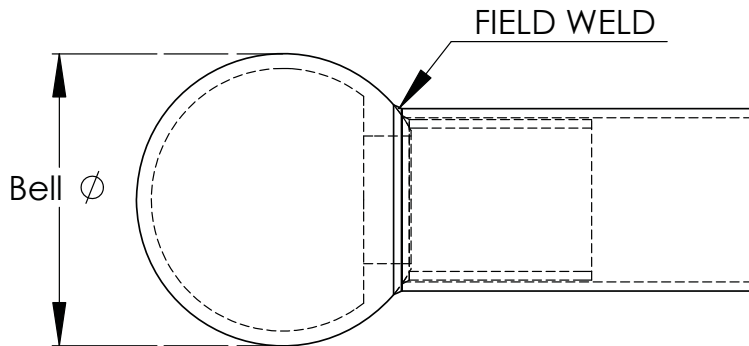


Pipe end bells are made of high strength aluminum alloy and provide a corona free environment through 500KV.

To assure such performance, any blemishes are removed when the spheres are finished.



WELDED EHV END BELLS		
CATALOG NUMBER	PIPE IPS	BALL DIA
18-1291-345KV	2	8
18-1292-345KV	2 1/2	8
18-1293-345KV	3	8
18-1293-EHV	3	12
18-1294-345KV	3 1/2	8
18-1294-EHV	3 1/2	12
18-1295-345KV	4	8
18-1295-EHV	4	12
18-1297-345KV	5	8
18-1297-EHV	5	12
18-1298-345KV	6	8
18-1298-EHV	6	12