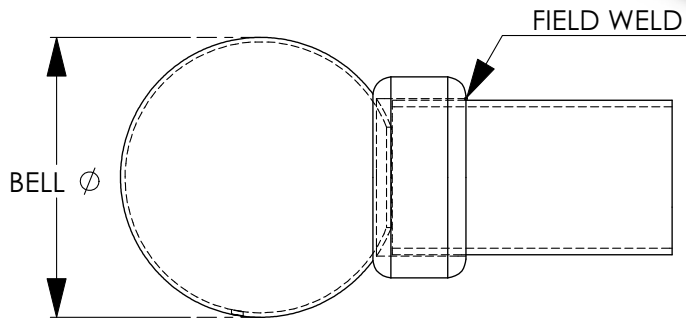
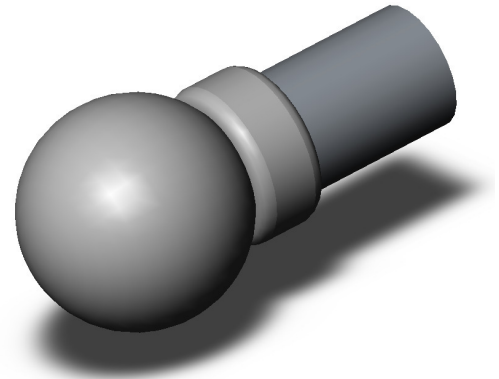


Pipe end bells are made of high strength aluminum alloy and provide a corona free environment up to 500KV. To assure such performance, any blemishes are removed when the spheres are finished.



WELDED EHV END BELLS		
CATALOG NUMBER	PIPE IPS	BALL DIA
18-1304-345KV	2	8
18-1305-345KV	2 1/2	8
18-1306-345KV	3	8
18-1306-EHV	3	12
18-1307-345KV	3 1/2	8
18-1307-EHV	3 1/2	12
18-1308-345KV	4	8
18-1308-EHV	4	12
18-1310-345KV	5	8
18-1310-EHV	5	12
18-1311-345KV	6	8
18-1311-EHV	6	12

18-20E