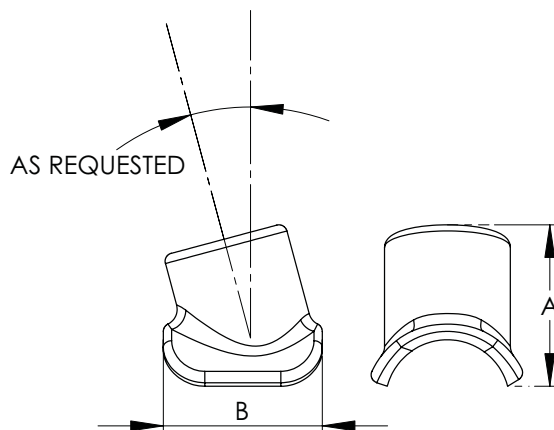


A reliable and economical connector for joining a pipe main to a tap whose angle varies from the perpendicular, the Type EHV TTWA cast of a lightweight and corrosion-resistant aluminum alloy makes a permanent connection. It can be used in self-supporting A-frame structures, and is capable of providing corona free performance up to 500KV. When ordering the varying angle must be designated in a suffix added to the catalog number to insure maximum efficiency. For a 15 degree angle tap, the item number should be written 18-231-15-EHV.



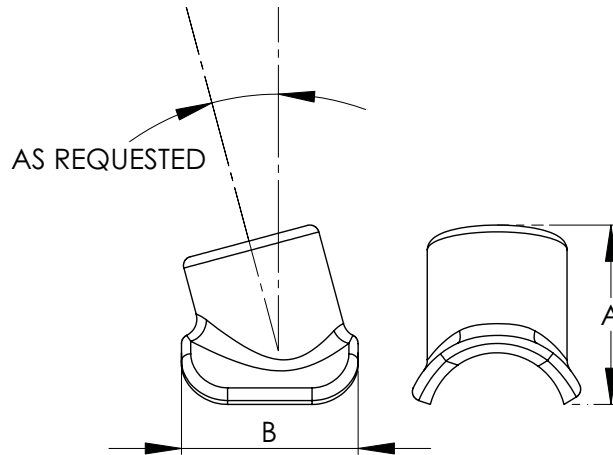
* Specify desired angle.

WELDED EHV TERMINAL PIPE TO PIPE ANGLED				
CATALOG NUMBER	IPS MAIN	IPS TAP	DIMENSIONS IN INCHES	
			A	B
18-251-*-EHV	2	2	2 1/4	3 3/8
18-257-*-EHV	2 1/2	2	3 5/8	3 1/2
18-258-*-EHV	2 1/2	2 1/2	3 7/8	4 1/4
18-225-*-EHV	3	2	3 1/2	3 3/4
18-265-*-EHV	3	2 1/2	4	4 1/4
18-266-*-EHV	3	3	4 1/2	5
18-272-*-EHV	3 1/2	2	4 1/4	3 1/2
18-273-*-EHV	3 1/2	2 1/2	4 1/2	4 1/4
18-274-*-EHV	3 1/2	3	4 5/8	5
18-275-*-EHV	3 1/2	3 1/2	5	5 1/2
18-281-*-EHV	4	2	3 3/4	3 1/2
18-282-*-EHV	4	2 1/2	4	4 1/4
18-283-*-EHV	4	3	5 3/4	5 3/4
18-284-*-EHV	4	3 1/2	4 1/2	5 1/2
18-285-*-EHV	4	4	4 1/2	6

Dimensions may vary depending on angle.

Continued on next page.

18-4E



Continued from previous page.

* Specify desired angle.

WELDED EHV TERMINAL PIPE TO PIPE ANGLED				
CATALOG NUMBER	IPS MAIN	IPS TAP	DIMENSIONS IN INCHES	
			A	B
18-302-*-EHV	5	2	5 1/8	3 1/2
18-303-*-EHV	5	2 1/2	5 1/8	4 1/4
18-304-*-EHV	5	3	5 1/4	5
18-305-*-EHV	5	3 1/2	5 1/2	5 1/2
18-306-*-EHV	5	4	5 1/2	6
18-308-*-EHV	5	5	5 3/4	8 1/2
18-314-*-EHV	6	2	5 1/2	3 1/2
18-315-*-EHV	6	2 1/2	5 1/2	4 1/4
18-316-*-EHV	6	3	5 3/4	5
18-317-*-EHV	6	3 1/2	6	5 1/2
18-318-*-EHV	6	4	6	6
18-320-*-EHV	6	5	6 1/4	7 1/4
18-321-*-EHV	6	6	6 1/2	8 1/2

Dimensions may vary depending on angle.