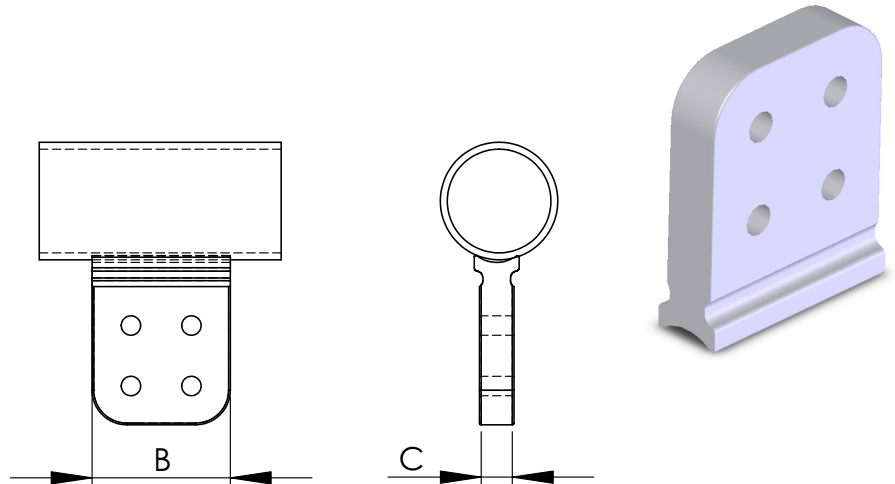
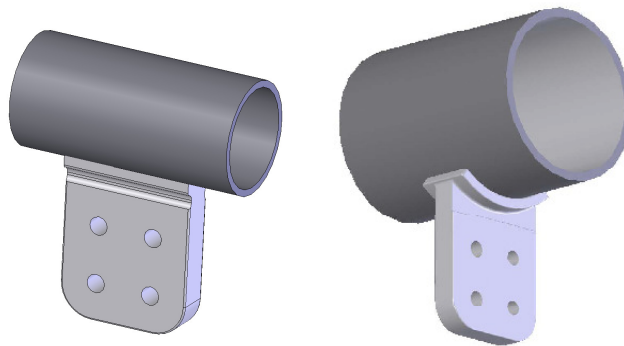


For a secure and reliable connection between a pipe bus and a flat pad to which a choice of fittings may be bolted, the Type EHV WTD tee connector is a particularly adaptable, efficient and economical choice. It is cast of a lightweight and corrosion-resistant aluminum alloy for dependability and durability in the field. Coupled with available bolt shields, these terminals are capable of providing a corona free environment up to 500KV. Bolt shields must be ordered separately. Note: To obtain 90 degree transverse type, add -90 to catalog number and indicate the actual pipe size. Example: for 5" ips 18-642-WR-90-5-EHV



WELDED EHV TEE CONNECTOR PIPE TO FLAT PAD				
CATALOG NUMBER	PIPE SIZE IPS	PAD STYLE	DIMENSIONS IN INCHES	
			B	C
18-624-WR-EHV	1-3	D	4	5/8
18-642-WR-EHV	3-6	D	4	1
18-624-WR-90-*-EHV	1-3	D	4	5/8
18-642-WR-90-*-EHV	3-6	D	4	1

\* Please indicate the actual pipe size. For example, 18-642-WR-90-4-EHV



FOR 90 DEGREE USE SUFFIX -90 AND INDICATE ACTUAL PIPE SIZE