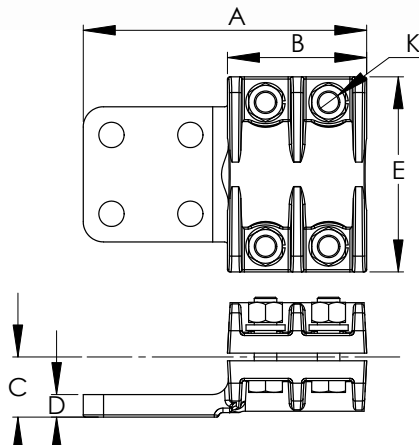
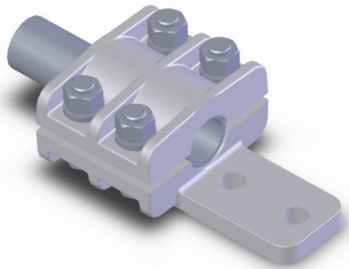


SECTION

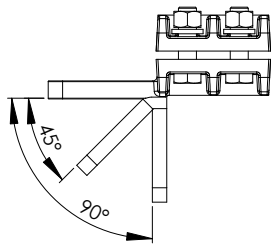
11-2A

ALUMINUM TERMINALS,
PIPE TO FLAT PAD

Cast of a high conductivity aluminum alloy, the type AT pipe connector includes bolts, nuts, and lock washers made of high tensile aluminum.

Bolt heads are captivated to permit single-wrench installation.

Side-formed NEMA pads are standard.



Special tongue features will be provided if designated by the addition of a suffix to the catalog number.

Example: A center-formed tongue for catalog number 11-179 should appear as 11-179-CF.

A 45 degree angle tongue for the same catalog number would be written 11-179-45.

CATALOG NUMBER	PAD STYLE	PIPE SIZE IPS	DIMENSIONS IN INCHES					
			A	B	C	D	E	K
11-179	B	1/2	5	4	1/2	3/8	2 7/8	1/2
11-180	C	1/2	5	4	1/2	3/8	2 7/8	1/2
11-181	D	1/2	6	4	1/2	3/8	2 7/8	1/2
11-182	B	3/4	6 1/16	2 3/4	1	1/2	3 3/8	1/2
11-183	C	3/4	6 1/16	2 3/4	1	1/2	3 3/8	1/2
11-184	D	3/4	7 1/16	2 3/4	1	1/2	3 3/8	1/2
11-185	B	1	6 1/2	3 3/16	1 3/16	1/2	3 7/8	1/2
11-186	C	1	6 7/16	3 3/16	1 1/4	1/2	3 7/8	1/2
11-187	D	1	7 7/16	3 3/16	1 1/4	1/2	3 7/8	1/2
11-188	B	1 1/4	6 1/2	3 1/8	1 1/2	1/2	4 5/16	1/2
11-189	C	1 1/4	6 1/2	3 1/8	1 1/2	1/2	4 5/16	1/2
11-190	D	1 1/4	7 1/2	3 1/8	1 1/2	1/2	4 5/16	1/2
11-191	B	1 1/2	6 5/16	3 1/16	1 1/2	5/8	4 3/8	1/2
11-192	C	1 1/2	6 5/16	3 1/16	1 1/2	5/8	4 3/8	1/2
11-193	D	1 1/2	7 5/16	3 1/16	1 1/2	5/8	4 3/8	1/2
11-194	B	2	6 1/2	3 1/8	1 3/4	5/8	5 1/8	1/2
11-195	C	2	6 1/2	3 1/8	1 3/4	5/8	5 1/8	1/2
11-196	D	2	7 7/16	3 1/8	1 3/4	5/8	5 1/8	1/2
11-197	B	2 1/2	7 3/8	4	2	5/8	6 1/8	5/8
11-198	C	2 1/2	7 1/8	4	2	5/8	6 1/8	5/8
11-199	D	2 1/2	8 1/4	4	2	5/8	6 1/8	5/8
11-200	B	3	7 5/16	3 15/16	2 1/2	5/8	7	5/8
11-201	C	3	7 1/8	3 15/16	2 1/2	5/8	7	5/8
11-202	D	3	8 1/8	3 15/16	2 1/2	5/8	7	5/8
11-203	B	3 1/2	7	3 3/4	2 5/8	3/4	7 1/2	5/8
11-204	C	3 1/2	7	3 3/4	2 5/8	3/4	7 1/2	5/8
11-205	D	3 1/2	8	3 3/4	2 5/8	3/4	7 1/2	5/8
11-206	B	4	7 7/8	4 5/8	3	3/4	8 1/2	5/8
11-207	C	4	7 7/8	4 5/8	3	3/4	8 1/2	5/8
11-208	D	4	8 7/8	4 5/8	3	3/4	8 1/2	5/8
11-209	B	4 1/2	7 7/8	4 3/4	3	3/4	9 1/8	5/8
11-210	C	4 1/2	7 7/8	4 3/4	3	3/4	9 1/8	5/8
11-211	D	4 1/2	8 7/8	4 3/4	3	3/4	9 1/8	5/8
11-212	B	5	8 1/2	5 1/16	3 1/2	1	9 5/8	5/8
11-213	C	5	8 1/2	5 1/16	3 1/2	1	9 5/8	5/8
11-214	D	5	9 1/2	5 1/16	3 1/2	1	9 5/8	5/8
11-215	B	6	9 3/4	6	4 1/4	1 1/4	11	5/8
11-216	C	6	9 3/4	6	4 1/4	1 1/4	11	5/8
11-217	D	6	10 3/4	6	4 1/4	1 1/4	11	5/8