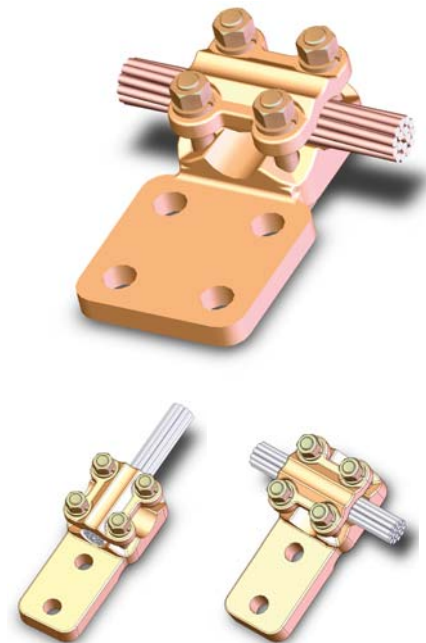
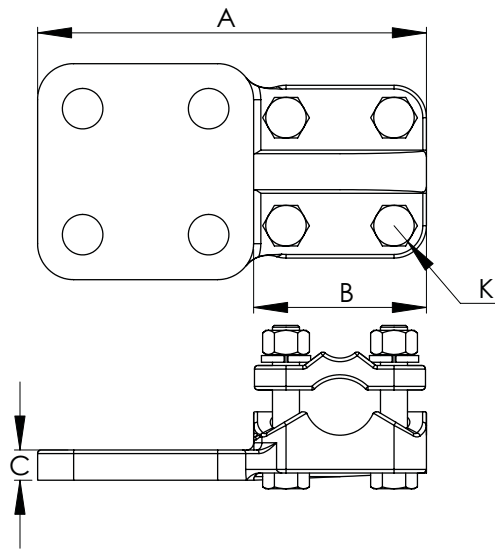


BRONZE TERMINALS, UNIVERSAL CROSS CONNECTOR

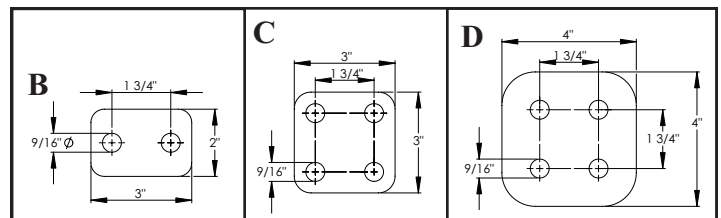
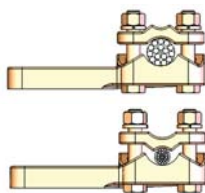
SECTION

11-3

In addition to covering a wide cable range, the versatile Type UCT connector features front and side entrances for adaptability in the field. It utilizes a high conductivity copper alloy with clamping hardware made of high strength silicon bronze. For single-wrench installation all bolt heads are captivated.



Wide Range
denoted by: *



BRONZE TERMINALS, CABLE TO FLAT PADS

CATALOG NUMBER	PAD STYLE	CABLE SIZE		DIMENSIONS IN INCHES			
		AWG MIN.	MCM MAX.	A	B	C	K
11-218*	B	2	800	5 1/2	2 1/2	3/8	3/8
11-219*	C	2	800	5 1/2	2 1/2	3/8	3/8
11-220*	D	2	800	6 1/2	2 1/2	3/8	3/8
11-221*	B	4/0	1500	6 1/2	3 1/2	1/2	1/2
11-222*	C	4/0	1500	6 1/2	3 1/2	1/2	1/2
11-223*	D	4/0	1500	7 1/2	3 1/2	1/2	1/2
11-224	B	1000	2000	7 1/4	4 1/4	5/8	1/2
11-225	C	1000	2000	7 1/4	4 1/4	5/8	1/2
11-226	D	1000	2000	8 1/4	4 1/4	5/8	1/2