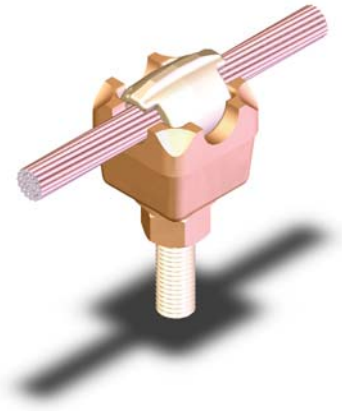
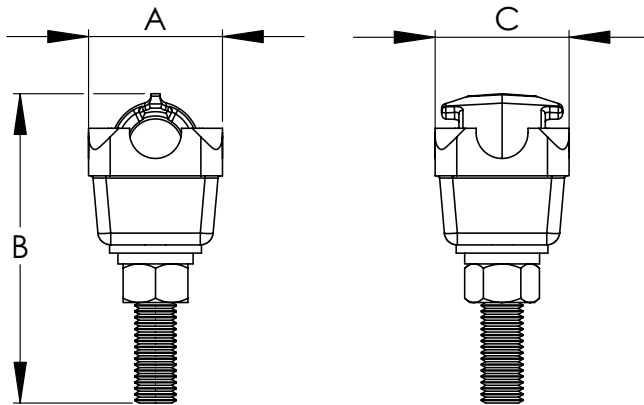


BRONZE BOLTED EYE TERMINAL, SINGLE CABLE TO FLAT

SECTION

11-5



BRONZE BOLTED EYE TERMINAL SINGLE CABLE TO FLAT

| CATALOG NUMBER | CABLE SIZE | | DIMENSIONS IN INCHES | | |
|-------------------|-------------|-------------|----------------------|-------|-------|
| | AWG MIN. | MCM MAX. | A | B | C |
| TT-101A-1 | 8 | 250 | 1 1/2 | 4 1/4 | 1 1/2 |
| TT-102A-1 | 1/0 | 500 | 1 3/4 | 4 1/4 | 1 3/4 |
| TT-103A-1 | 500 | 1000 | 2 1/8 | 4 1/4 | 2 1/8 |

Cast of a high conductivity copper alloy, these terminals are ideal for connecting copper cable directly to a flat pad. Designed for grounding or power applications.