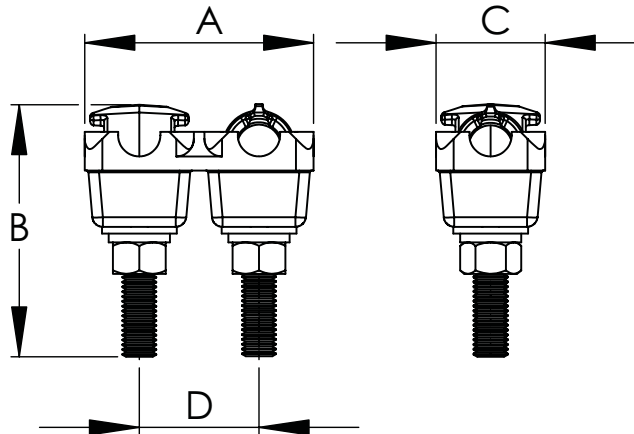
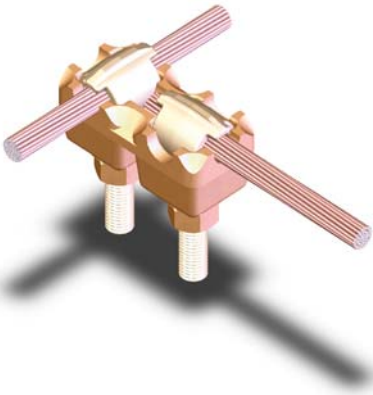


# BRONZE BOLTED EYE TERMINAL, DOUBLE OR SINGLE CABLE TO FLAT



Cast of a high conductivity copper alloy, these terminals are ideal for connecting one or two copper cables directly to a flat pad. Designed for grounding or power applications.

BRONZE BOLTED EYE TERMINAL DOUBLE CABLE TO FLAT						
CATALOG NUMBER	CABLE SIZE		DIMENSIONS IN INCHES			
	AWG MIN.	MCM MAX.	A	B	C	D
TT-101A-2	8	250	3	4 1/4	1 1/2	1 3/4
TT-102A-2	1/0	500	3 1/2	4 1/4	1 3/4	2
TT-103A-2	500	1000	4 1/4	4 1/4	2 1/8	2 3/8