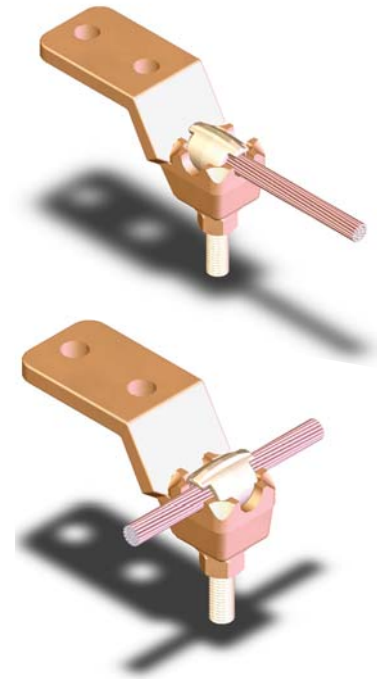
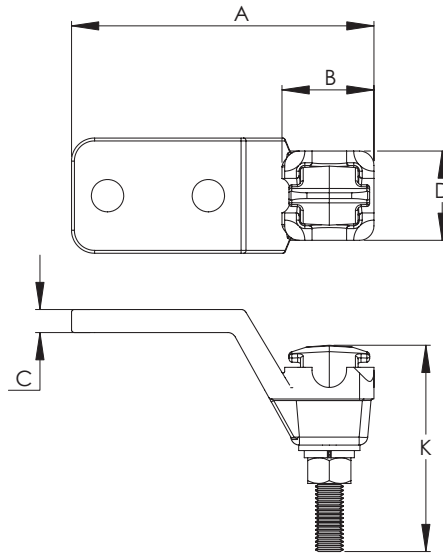


BRONZE BOLTED EYE TERMINAL, SINGLE CABLE TO FLAT PAD

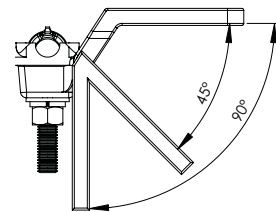
SECTION

11-7



BRONZE BOLTED EYE TERMINAL SINGLE CABLE TO FLAT PAD								
CATALOG NUMBER	PAD STYLE	CABLE AWG or MIN.	SIZE MCM MAX	DIMENSIONS IN INCHES				
				A	B	C	D	K
11-101-1EY	B	8	250	5	1 1/2	5/16	1 1/2	4 1/4
11-104-1EY	B	2	500	5 1/4	1 3/4	3/8	1 3/4	4 1/4
11-105-1EY	C	2	500	5 1/4	1 3/4	3/8	1 3/4	4 1/4
11-110-1EY	B	4/0	1000	5 5/8	2 1/8	9/16	2 1/8	4 1/4
11-111-1EY	C	4/0	1000	5 5/8	2 1/8	9/16	2 1/8	4 1/4
11-113-1EY	B	1000	1500	6	2 1/2	9/16	2 1/2	4 1/4
11-114-1EY	C	1000	1500	6	2 1/2	9/16	2 1/2	4 1/4

Cast of a high conductivity copper alloy, these single eyebolt terminals provide an ideal connection between one copper cable and a side formed flat pad. Multiple pad sizes available.



Any special tongue features will be readily provided if designated by the addition of a suffix to the catalog number. For example, a 11-101-1EY should appear as 11-101-1EY-45 FOR a 45 degree angle tongue.