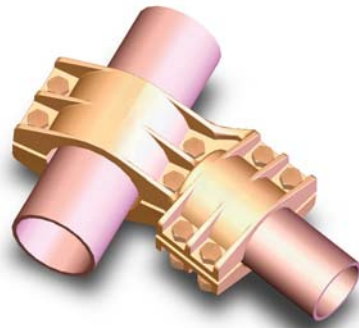


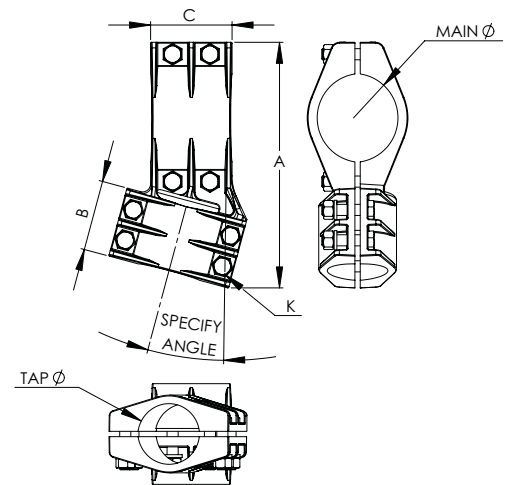
# BRONZE TEE CONNECTORS, PIPE RUN TO ANGLE PIPE TAP

SECTION

12-2



BRONZE TEE CONNECTORS PIPE RUN TO ANGLE PIPE TAP						
CATALOG NUMBER	IPS MAIN	IPS TAP	DIMENSIONS IN INCHES			
			A	B	C	K
12-283	1/2	1/2	5 7/8	2 1/2	2 1/2	3/8
12-284	3/4	1/2	5 7/8	2 1/2	2 7/8	3/8
12-285	3/4	3/4	6 1/4	2 7/8	2 7/8	3/8
12-286	1	1/2	6 3/8	2 1/2	3 1/8	3/8
12-287	1	3/4	6 3/4	2 7/8	3 1/8	3/8
12-288	1	1	7	3 1/8	3 1/8	3/8
12-289	1 1/4	1/2	6 7/8	2 1/2	3 1/8	3/8
12-290	1 1/4	3/4	7 1/4	2 7/8	3 1/8	3/8
12-291	1 1/4	1	7 1/2	3 1/8	3 1/8	3/8
12-292	1 1/4	1 1/4	7 1/2	3 1/8	3 1/8	1/2
12-293	1 1/2	1/2	6 7/8	2 1/2	3 1/4	3/8
12-294	1 1/2	3/4	7 1/4	2 7/8	3 1/4	3/8
12-295	1 1/2	1	7 1/2	3 1/8	3 1/4	3/8
12-296	1 1/2	1 1/4	7 1/8	3 1/8	3 1/4	1/2
12-297	1 1/2	1 1/2	7 5/8	3 1/4	3 1/4	1/2
12-298	2	1/2	7 5/8	2 1/2	3 1/4	3/8
12-299	2	3/4	8	2 7/8	3 1/4	3/8
12-300	2	1	8 1/4	3 1/8	3 1/4	3/8
12-301	2	1 1/4	8 1/4	3 1/8	3 1/4	1/2
12-302	2	1 1/2	8 3/8	3 1/4	3 1/4	1/2
12-303	2	2	8 3/8	3 1/4	3 1/4	1/2
12-304	2 1/2	1/2	8 5/8	2 1/2	3 7/8	3/8
12-305	2 1/2	3/4	9	2 7/8	3 7/8	3/8
12-306	2 1/2	1	9 1/4	3 1/8	3 7/8	3/8
12-307	2 1/2	1 1/4	9 1/4	3 1/8	3 7/8	1/2
12-308	2 1/2	1 1/2	9 3/8	3 1/4	3 7/8	1/2
12-309	2 1/2	2	9 3/8	3 1/4	3 7/8	1/2
12-310	2 1/2	2 1/2	10	3 7/8	3 7/8	1/2
12-311	3	1/2	9 1/2	2 1/2	4	3/8
12-312	3	3/4	9 7/8	2 7/8	4	3/8
12-313	3	1	10 1/8	3 1/8	4	3/8
12-314	3	1 1/4	10 1/8	3 1/8	4	1/2
12-315	3	1 1/2	10 1/4	3 1/4	4	1/2
12-316	3	2	10 1/4	3 1/4	4	1/2
12-317	3	2 1/2	10 7/8	3	4	1/2
12-318	3	3	11	4	4	5/8



A strong and dependable connector for joining a pipe main to a tap whose angle varies from the perpendicular, the Type PTA relies on a high conductivity copper alloy for its durability. Bolts, nuts, and lockwashers are silicon bronze for clamping strength and resistance to corrosion. Bolt heads are recessed for single-wrench installation.

In ordering the Type PTA tee connector, the varying angle must be designated in a suffix added to the catalog number. A 15° angle tap for catalog number 12-283, for instance, should be written 12-283-15 on the order.

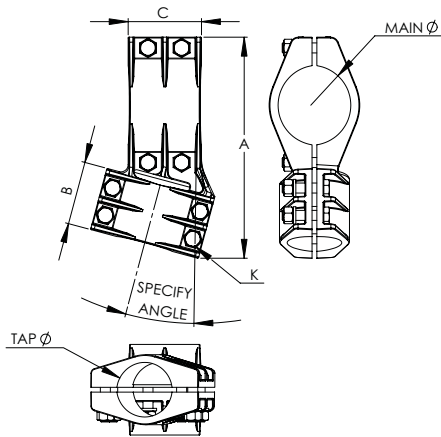
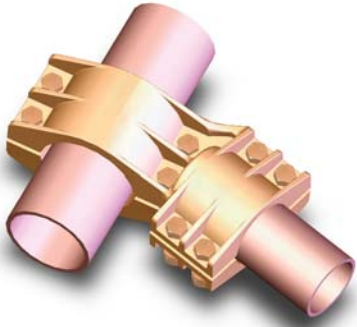
Continued on next page

## SECTION

## 12-2

BRONZE TEE CONNECTORS,  
PIPE RUN TO ANGLE PIPE TAP

Continued from previous page



In ordering the Type PTA tee connector, the varying angle must be designated in a suffix added to the catalog number. A 15° angle tap for catalog number 12-319, for instance, should be written 12-319-15 on the order.

BRONZE TEE CONNECTORS  
PIPE RUN TO ANGLE PIPE TAP

CATALOG NUMBER	IPS MAIN	IPS TAP	A	DIMENSIONS IN INCHES		
				B	C	K
12-319	3 1/2	1/2	10	2 1/2	3 3/4	3/8
12-320	3 1/2	3/4	10 1/4	2 7/8	3 3/4	3/8
12-321	3 1/2	1	10 5/8	3 1/8	3 3/4	3/8
12-322	3 1/2	1 1/4	10 5/8	3 1/8	3 3/4	1/2
12-323	3 1/2	1 1/2	10 3/4	3 1/4	3 3/4	1/2
12-324	3 1/2	2	10 3/4	3 1/4	3 3/4	5/8
12-325	3 1/2	2 1/2	11 3/8	3 7/8	3 3/4	1/2
12-326	3 1/2	3	11 1/2	4	3 3/4	5/8
12-327	3 1/2	3 1/2	11 1/4	3 3/4	3 3/4	5/8
12-328	4	1/2	11	2 1/2	4 5/8	3/8
12-329	4	3/4	11 1/4	2 7/8	4 5/8	3/8
12-330	4	1	11 3/8	3 1/8	4 5/8	3/8
12-331	4	1 1/4	11 3/8	3 1/8	4 5/8	1/2
12-332	4	1 1/2	11 3/4	3 1/4	4 5/8	5/8
12-333	4	2	11 3/4	3 1/4	4 5/8	1/2
12-334	4	2 1/2	12 1/4	3 7/8	4 5/8	1/2
12-335	4	3	12 1/2	4	4 5/8	5/8
12-336	4	3 1/2	12 1/4	3 3/4	4 5/8	5/8
12-337	4	4	13 1/8	4 5/8	4 5/8	5/8
12-338	4 1/2	1/2	11 1/2	2 1/2	4 7/8	3/8
12-339	4 1/2	3/4	11 7/8	2 7/8	4 7/8	3/8
12-340	4 1/2	1	12 1/8	3 1/8	4 7/8	3/8
12-341	4 1/2	1 1/4	12 1/8	3 1/8	4 7/8	1/2
12-342	4 1/2	1 1/2	12 1/4	3 1/4	4 7/8	1/2
12-343	4 1/2	2	12 1/4	3 1/4	4 7/8	1/2
12-344	4 1/2	2 1/2	12 7/8	3 7/8	4 7/8	1/2
12-345	4 1/2	3	13	4	4 7/8	5/8
12-346	4 1/2	3 1/2	12 3/4	3 3/4	4 7/8	5/8
12-347	4 1/2	4	13 5/8	4 5/8	4 7/8	5/8
12-348	4 1/2	4 1/2	13 7/8	4 7/8	4 7/8	5/8
12-349	5	1/2	12 1/8	2 1/2	5	3/8
12-350	5	3/4	12 1/2	2 7/8	5	3/8
12-351	5	1	12 3/4	3 1/8	5	3/8
12-352	5	1 1/4	12 3/4	3 1/8	5	1/2
12-353	5	1 1/2	12 7/8	3 1/4	5	1/2
12-354	5	2	12 7/8	3 1/4	5	5/8
12-355	5	2 1/2	13 1/2	3 7/8	5	1/2
12-356	5	3	13 5/8	4	5	5/8
12-357	5	3 1/2	13 3/8	3 3/4	5	5/8
12-358	5	4	14 1/4	4 5/8	5	5/8
12-359	5	4 1/2	14 1/2	4 7/8	5	5/8
12-360	5	5	14 5/8	5	5	5/8
12-361	6	1/2	13 1/2	2 1/2	6	3/8
12-362	6	3/4	13 7/8	2 7/8	6	3/8
12-363	6	1	14 1/8	3 1/8	6	3/8
12-364	6	1 1/4	14 1/8	3 1/8	6	1/2
12-365	6	1 1/2	14 1/4	3 1/4	6	1/2
12-366	6	2	14 1/4	3 1/4	6	1/2
12-367	6	2 1/2	14 7/8	3 7/8	6	1/2
12-368	6	3	15	4	6	5/8
12-369	6	3 1/2	14 3/4	3 3/4	6	5/8
12-370	6	4	15 5/8	4 5/8	6	5/8
12-371	6	4 1/2	15 7/8	4 7/8	6	5/8
12-372	6	5	16	5	6	5/8
12-373	6	6	17	6	6	5/8