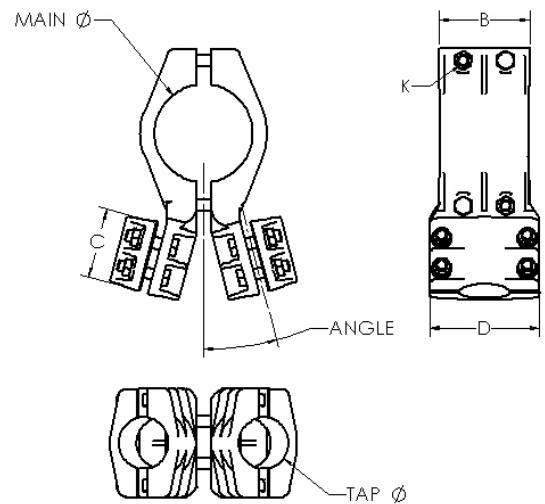
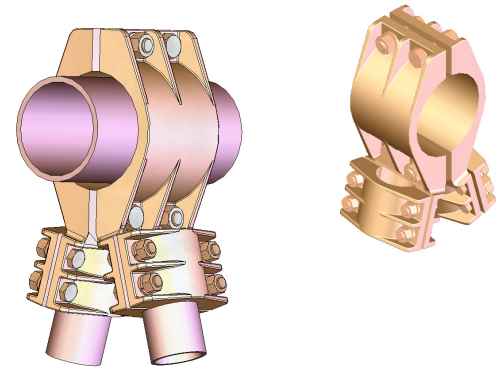


BRONZE VEE CONNECTORS, PIPE RUN TO DOUBLE PIPE TAP

SECTION

12-3

CATALOG NUMBER	IPS MAIN	IPS TAP	DIMENSIONS IN INCHES			
			B	C	D	K
12-465-*	1/2	1/2	3	3	2 1/4	3/8
12-466-*	3/4	1/2	2 3/4	3	2 1/4	1/2 & 3/8
12-467-*	3/4	3/4	2 3/4	2 3/4	3 3/8	1/2
12-468-*	1	1/2	3 3/16	3	2 1/4	1/2 & 3/8
12-469-*	1	3/4	3 3/16	2 3/4	3 3/8	1/2
12-470-*	1	1	3 3/16	3 3/16	3 7/8	1/2
12-471-*	1 1/4	1/2	3 1/8	3	2 1/4	1/2 & 3/8
12-472-*	1 1/4	3/4	3 1/8	2 3/4	3 3/8	1/2
12-473-*	1 1/4	1	3 1/8	3 3/16	3 7/8	1/2
12-474-*	1 1/4	1 1/4	3 1/8	3 1/8	4 5/16	1/2
12-475-*	1 1/2	1/2	3 1/16	3	2 1/4	1/2 & 3/8
12-476-*	1 1/2	3/4	3 1/16	2 3/4	3 3/8	1/2
12-477-*	1 1/2	1	3 1/16	3 3/16	3 7/8	1/2
12-478-*	1 1/2	1 1/4	3 1/16	3 1/8	4 5/16	1/2
12-479-*	1 1/2	1 1/2	3 1/16	3 1/16	4 3/8	1/2
12-480-*	2	1/2	3 1/8	3	2 1/4	1/2 & 3/8
12-481-*	2	3/4	3 1/8	2 3/4	3 3/8	1/2
12-482-*	2	1	3 1/8	3 3/16	3 7/8	1/2
12-483-*	2	1 1/4	3 1/8	3 1/8	4 5/16	1/2
12-484-*	2	1 1/2	3 1/8	3 1/16	4 3/8	1/2
12-485-*	2	2	3 1/8	3 1/8	5 1/8	1/2
12-486-*	2 1/2	1/2	4	3	2 1/4	5/8 & 1/2
12-487-*	2 1/2	3/4	4	2 3/4	3 3/8	5/8 & 1/2
12-488-*	2 1/2	1	4	3 3/16	3 7/8	5/8 & 1/2
12-489-*	2 1/2	1 1/4	4	3 1/8	4 5/16	5/8 & 1/2
12-490-*	2 1/2	1 1/2	4	3 1/16	4 3/8	5/8 & 1/2
12-491-*	2 1/2	2	4	3 1/8	5 1/8	5/8 & 1/2
12-492-*	2 1/2	2 1/2	4	4	6 1/8	5/8
12-493-*	3	1/2	3 15/16	3	2 1/4	5/8 & 3/8
12-494-*	3	3/4	3 15/16	2 3/4	3 3/8	5/8 & 1/2
12-495-*	3	1	3 15/16	3 3/16	3 7/8	5/8 & 1/2
12-496-*	3	1 1/4	3 15/16	3 1/8	4 5/16	5/8 & 1/2
12-497-*	3	1 1/2	3 15/16	3 1/16	4 3/8	5/8 & 1/2
12-498-*	3	2	3 15/16	3 1/8	5 1/8	5/8 & 1/2
12-499-*	3	2 1/2	3 15/16	4	6 1/8	5/8
12-500-*	3	3	3 15/16	3 15/16	7	5/8
12-501-*	3 1/2	1/2	3 3/4	3	2 1/4	5/8 & 3/8
12-502-*	3 1/2	3/4	3 3/4	2 3/4	3 3/8	5/8 & 1/2
12-503-*	3 1/2	1	3 3/4	3 3/16	3 7/8	5/8 & 1/2
12-504-*	3 1/2	1 1/4	3 3/4	3 1/8	4 5/16	5/8 & 1/2
12-505-*	3 1/2	1 1/2	3 3/4	3 1/16	4 3/8	5/8 & 1/2
12-506-*	3 1/2	2	3 3/4	3 1/8	5 1/8	5/8 & 1/2
12-507-*	3 1/2	2 1/2	3 3/4	4	6 1/8	5/8
12-508-*	3 1/2	3	3 3/4	3 15/16	7	5/8
12-509-*	3 1/2	3 1/2	3 3/4	3 3/4	7 1/2	5/8



An efficient connector for joining two taps to a single main, the type PTV utilizes a high conductivity copper alloy. The silicon bronze clamping hardware increases clamping strength and resists corrosion. For single-wrench installation, all bolt heads are captivated.

*Orders for this type of vee connector require the addition of a suffix to the catalog number for denoting the varying angle from center plane (see image above).

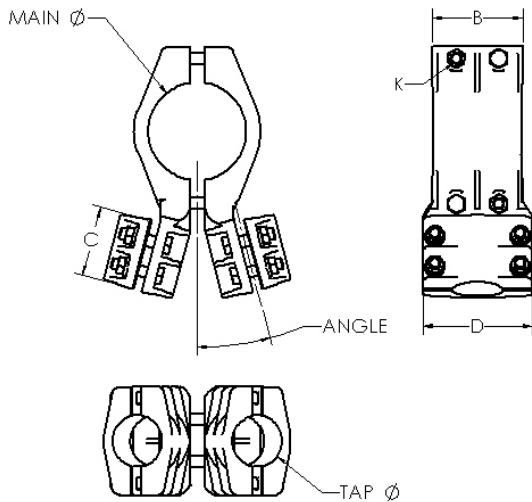
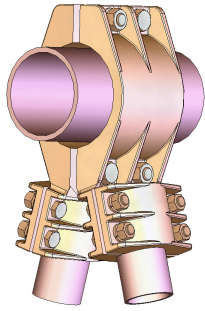
If the angle varies 15° from the perpendicular, for example, and the number being requested is 12-465, it should appear on the order as 12-465-15.

Continued on next page

SECTION

12-3

BRONZE VEE CONNECTORS, PIPE RUN TO DOUBLE PIPE TAP, continued



Continued from previous page

CATALOG NUMBER	IPS MAIN	IPS TAP	DIMENSIONS IN INCHES			
			B	C	D	K
12-510-(*)	4	1/2	4 5/8	3	2 1/4	5/8 & 3/8
12-511-(*)	4	3/4	4 5/8	2 3/4	3 3/8	5/8 & 1/2
12-512-(*)	4	1	4 5/8	3 3/16	3 7/8	5/8 & 1/2
12-513-(*)	4	1 1/4	4 5/8	3 1/8	4 5/16	5/8 & 1/2
12-514-(*)	4	1 1/2	4 5/8	3 1/16	4 3/8	5/8 & 1/2
12-515-(*)	4	2	4 5/8	3 1/8	5 1/8	5/8 & 1/2
12-516-(*)	4	2 1/2	4 5/8	4	6 1/8	5/8
12-517-(*)	4	3	4 5/8	3 15/16	7	5/8
12-518-(*)	4	3 1/2	4 5/8	3 3/4	7 1/2	5/8
12-519-(*)	4	4	4 5/8	4 5/8	8 1/2	5/8
12-520-(*)	4 1/2	1/2	4 3/4	3	2 1/4	5/8 & 3/8
12-521-(*)	4 1/2	3/4	4 3/4	2 3/4	3 3/8	5/8 & 1/2
12-522-(*)	4 1/2	1	4 3/4	3 3/16	3 7/8	5/8 & 1/2
12-523-(*)	4 1/2	1 1/4	4 3/4	3 1/8	4 5/16	5/8 & 1/2
12-524-(*)	4 1/2	1 1/2	4 3/4	3 1/16	4 3/8	5/8 & 1/2
12-525-(*)	4 1/2	2	4 3/4	3 1/8	5 1/8	5/8 & 1/2
12-526-(*)	4 1/2	2 1/2	4 3/4	4	6 1/8	5/8
12-527-(*)	4 1/2	3	4 3/4	3 15/16	7	5/8
12-528-(*)	4 1/2	3 1/2	4 3/4	3 3/4	7 1/2	5/8
12-529-(*)	4 1/2	4	4 3/4	4 5/8	8 1/2	5/8
12-530-(*)	4 1/2	4 1/2	4 3/4	4 3/4	9	5/8
12-531-(*)	5	1/2	5 1/16	3	2 1/4	5/8 & 3/8
12-532-(*)	5	3/4	5 1/16	2 3/4	3 3/8	5/8 & 1/2
12-533-(*)	5	1	5 1/16	3 3/16	3 7/8	5/8 & 1/2
12-534-(*)	5	1 1/4	5 1/16	3 1/8	4 5/16	5/8 & 1/2
12-535-(*)	5	1 1/2	5 1/16	3 1/16	4 3/8	5/8 & 1/2
12-536-(*)	5	2	5 1/16	3 1/8	5 1/8	5/8 & 1/2
12-537-(*)	5	2 1/2	5 1/16	4	6 1/8	5/8
12-538-(*)	5	3	5 1/16	3 15/16	7	5/8
12-539-(*)	5	3 1/2	5 1/16	3 3/4	7 1/2	5/8
12-540-(*)	5	4	5 1/16	4 5/8	8 1/2	5/8
12-541-(*)	5	4 1/2	5 1/16	4 3/4	9	5/8
12-542-(*)	5	5	5 1/16	5 1/16	9 5/8	5/8
12-543-(*)	6	1/2	6	3	2 1/4	5/8 & 3/8
12-544-(*)	6	3/4	6	2 3/4	3 3/8	5/8 & 1/2
12-545-(*)	6	1	6	3 3/16	3 7/8	5/8 & 1/2
12-546-(*)	6	1 1/4	6	3 1/8	4 5/16	5/8 & 1/2
12-547-(*)	6	1 1/2	6	3 1/16	4 3/8	5/8 & 1/2
12-548-(*)	6	2	6	3 1/8	5 1/8	5/8 & 1/2
12-549-(*)	6	2 1/2	6	4	6 1/8	5/8
12-550-(*)	6	3	6	3 15/16	7	5/8
12-551-(*)	6	3 1/2	6	3 3/4	7 1/2	5/8
12-552-(*)	6	4	6	4 5/8	8 1/2	5/8
12-553-(*)	6	4 1/2	6	4 3/4	9	5/8
12-554-(*)	6	5	6	5 1/16	9 5/8	5/8
12-555-(*)	6	6	6	6	11	5/8

Orders for this type of vee connector require the addition of a suffix to the catalog number for denoting the varying angle from center plane (see image above).

*If the angle varies 15° from the perpendicular, for example, and the number being requested is 12-510, it should appear on the order as 12-510-15.