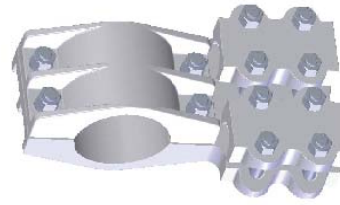


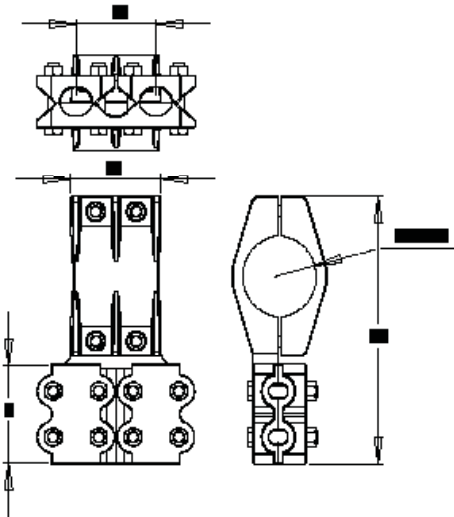
SECTION

12-4A-2T

ALUMINUM TEE CONNECTORS,
PIPE RUN TO DOUBLE CABLE TAP



* Please indicate either side by side "IL" or back to back "BB" orientation



To join a single pipe main to two cable taps use the Type ATPC2,. High tensile aluminum clamping hardware adds strength and durability to the connector which, for greater convenience, offers captivated bolt heads that permit single-wrench installation.

For side by side orientation use suffix "-2T-IL"



For back to back orientation use suffix "-2T-BB"



ALUMINUM TEE CONNECTORS PIPE RUN TO DOUBLE CABLE TAP									
CATALOG NUMBER	PIPE MAIN MAIN	ALUMINUM CABLE TAP		ACSR CABLE TAP		DIMENSIONS IN INCHES			
		AWG MIN.	or MCM TAP	AVG MIN.	or MCM TAP	A	B	C	D
12-699-2T*	1/2	4	477	4	397	6	3	3 1/2	3 1/4
12-703-2T*	3/4	4	954	4	795	6 3/4	4	3 1/4	3 1/4
12-707-2T*	1	4	954	4	795	7	4	3 1/2	3 1/4
12-711-2T*	1 1/4	4	954	4	795	7 1/2	4	3 1/2	3 1/4
12-715-2T*	1 1/2	4	954	4	795	8 1/4	4	3	3 1/4
12-716-2T*	1 1/2	900	1250	715.5	1113	8 1/2	4 3/8	4 3/4	3 3/4
12-719-2T*	2	4	954	4	795	8 3/4	4	3 1/4	3 1/4
12-720-2T*	2	900	1250	715.5	1113	9	4 3/8	3 1/4	3 3/4
12-723-2T*	2 1/2	4	954	4	795	9 3/4	4	4	3 1/4
12-724-2T*	2 1/2	900	1250	715.5	1113	10	4 3/8	3 3/4	3 3/4
12-725-2T*	2 1/2	1272	1590	1113	1250	10 1/2	4 3/8	3 3/4	3 1/2
12-728-2T*	3	4	954	4	795	10 1/2	4	4	3 1/4
12-729-2T*	3	900	1250	715.5	1113	10 3/4	4 3/8	4	3 3/4
12-730-2T*	3	1272	1590	1113	1250	11 1/4	4 3/8	4	3 1/2
12-733-2T*	3 1/2	4	954	4	795	11 1/4	4	3 3/4	3 1/4
12-734-2T*	3 1/2	900	1250	715.5	1113	11 1/2	4 3/8	8 3/4	3 3/4
12-735-2T*	3 1/2	1272	1590	1113	1250	12	4 3/8	7 3/4	3 1/2
12-737-2T*	4	4	954	4	795	11 3/4	4	4 1/4	3 1/4
12-738-2T*	4	900	1250	715.5	1113	12	4 3/8	4 1/4	3 3/4
12-739-2T*	4	1272	1590	1113	1250	12 1/2	4 3/8	1/4	3 1/2
12-740-2T*	4	1590	2000	1272	1590	12 3/4	4 1/2	6	4
12-742-2T*	4 1/2	4	954	4	795	12 1/4	4	8 3/4	3 1/4
12-743-2T*	4 1/2	900	1250	715.5	1113	12 1/2	4 3/8	8 3/4	3 3/4
12-744-2T*	4 1/2	1272	1590	1113	1250	13	4 3/8	8 3/4	3 1/2
12-745-2T*	4 1/2	1590	2000	1272	1590	13 1/4	4 1/2	8 3/4	4
12-747-2T*	5	4	954	4	795	12 3/4	4	5	3 1/4
12-748-2T*	5	900	1250	715.5	1113	13	4 3/8	9 1/4	3 3/4
12-749-2T*	5	1272	1590	1113	1250	13 1/2	4 3/8	9 1/4	3 1/2
12-750-2T*	5	1590	2000	1272	1590	13 3/4	4 1/2	9 1/4	4
12-752-2T*	6	4	954	4	795	13 3/4	4	10 1/4	3 1/4
12-753-2T*	6	900	1250	715.5	1113	14	4 3/8	10 1/4	3 3/4
12-754-2T*	6	1272	1590	1113	1250	14 1/2	4 3/8	10 1/4	3 1/2
12-755-2T*	6	1590	2000	1272	1590	14 3/4	4 1/2	10 1/4	4