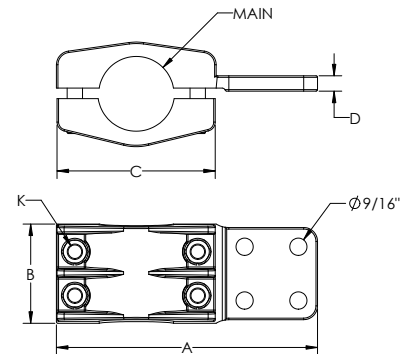
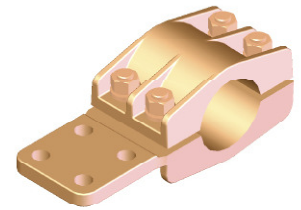


BRONZE TEE CONNECTORS, PIPE RUN TO PAD TAP

SECTION

12-5

CATALOG NUMBER	IPS MAIN	PAD STYLE	DIMENSIONS IN INCHES				
			A	B	C	D	K
12-757	1/2	B	5 1/2	3	2 1/4	3/8	3/8
12-758	1/2	C	5 1/2	3	2 1/4	3/8	3/8
12-759	1/2	D	6 1/2	3	2 1/4	3/8	3/8
12-760	3/4	B	6 3/4	2 3/4	3 3/8	3/8	1/2
12-761	3/4	C	6 3/4	2 3/4	3 3/8	3/8	1/2
12-762	3/4	D	7 1/8	2 3/4	3 3/8	3/8	1/2
12-763	1	B	7 1/8	3 3/16	3 7/8	3/8	1/2
12-764	1	C	7 1/8	3 3/16	3 7/8	3/8	1/2
12-765	1	D	8 1/8	3 3/16	3 7/8	3/8	1/2
12-766	1 1/4	B	8 1/2	3 1/8	4 5/16	3/8	1/2
12-767	1 1/4	C	8 1/2	3 1/8	4 5/16	3/8	1/2
12-768	1 1/4	D	9 1/2	3 1/8	4 5/16	3/8	1/2
12-771	1 1/2	B	7 5/8	3 1/16	4 3/8	5/8	1/2
12-772	1 1/2	C	7 5/8	3 1/16	4 3/8	5/8	1/2
12-773	1 1/2	D	8 5/8	3 1/16	4 3/8	5/8	1/2
12-776	2	B	8 1/8	3 1/8	5 1/8	1/2	1/2
12-777	2	C	9 1/2	3 1/8	5 1/8	1/2	1/2
12-778	2	D	9 1/8	3 1/8	5 1/8	1/2	1/2
12-781	2 1/2	B	9 1/8	4	6 1/8	1/2	5/8
12-782	2 1/2	C	9 1/8	4	6 1/8	1/2	5/8
12-783	2 1/2	D	10 1/8	4	6 1/8	1/2	5/8
12-786	3	B	10 3/8	3 15/16	7	5/8	5/8
12-787	3	C	10 1/4	3 15/16	7	5/8	5/8
12-788	3	D	11 1/4	3 15/16	7	5/8	5/8
12-792	3 1/2	B	10 1/2	3 3/4	7 1/2	3/4	5/8
12-793	3 1/2	C	10 1/2	3 3/4	7 1/2	3/4	5/8
12-794	3 1/2	D	11 3/4	3 3/4	7 1/2	3/4	5/8
12-798	4	B	11 1/4	4 5/8	8 1/2	3/4	5/8
12-799	4	C	11 1/4	4 5/8	8 1/2	3/4	5/8
12-800	4	D	12 1/2	4 5/8	8 1/2	3/4	5/8
12-804	4 1/2	B	12 1/8	4 3/4	9 1/8	3/4	5/8
12-805	4 1/2	C	12 1/8	4 3/4	9 1/8	3/4	5/8
12-806	4 1/2	D	13 1/8	4 3/4	9 1/8	3/4	5/8
12-810	5	B	13 1/4	5 1/16	9 5/8	1	5/8
12-811	5	C	13 1/4	5 1/16	9 5/8	1	5/8
12-812	5	D	14 1/4	5 1/16	9 5/8	1	5/8
12-816	6	B	14	6	11	1 1/8	5/8
12-817	6	C	14	6	11	1 1/8	5/8
12-818	6	D	15	6	11	1 1/8	5/8



The type BTPB connector joins copper pipe to copper flat pad. This tee connector offers strength and durability with its high conductivity copper alloy casting and clamping hardware made of silicon bronze. This connector like the others, features recessed bolt heads for single-wrench installation.