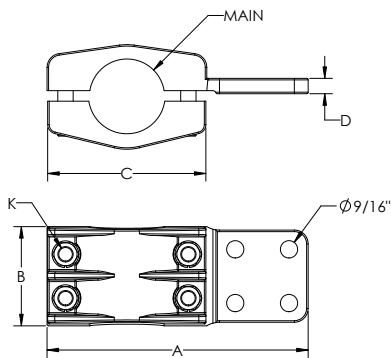
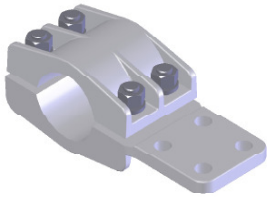


SECTION

12-5A

ALUMINUM TEE CONNECTORS,
PIPE RUN TO FLAT PAD TAP

Manufactured of a strong, lightweight aluminum alloy, the type ATPB joins aluminum pipe main to aluminum flat pad.

For clamping strength and resistance to corrosion, bolts, nuts, and lockwashers are high tensile aluminum. To facilitate installation, all bolt heads are recessed.

| CATALOG NUMBER | IPS MAIN | PAD STYLE | DIMENSIONS IN INCHES | | | | |
|----------------|----------|-----------|----------------------|---------|--------|-------|-----|
| | | | A | B | C | D | K |
| 12-824 | 1/2 | B | 5 1/2 | 4 | 2 7/8 | 3/8 | 1/2 |
| 12-825 | 1/2 | C | 5 1/2 | 4 | 2 7/8 | 3/8 | 1/2 |
| 12-826 | 1/2 | D | 6 1/2 | 4 | 2 7/8 | 3/8 | 1/2 |
| 12-827 | 3/4 | B | 6 3/4 | 2 3/4 | 3 3/8 | 3/8 | 1/2 |
| 12-828 | 3/4 | C | 6 3/4 | 2 3/4 | 3 3/8 | 3/8 | 1/2 |
| 12-829 | 3/4 | D | 7 1/8 | 2 3/4 | 3 3/8 | 3/8 | 1/2 |
| 12-830 | 1 | B | 7 1/8 | 3 3/16 | 3 7/8 | 3/8 | 1/2 |
| 12-831 | 1 | C | 7 1/8 | 3 3/16 | 3 7/8 | 3/8 | 1/2 |
| 12-832 | 1 | D | 8 1/4 | 3 3/16 | 3 7/8 | 3/8 | 1/2 |
| 12-833 | 1 1/4 | B | 7 5/8 | 3 1/8 | 4 5/16 | 3/8 | 1/2 |
| 12-834 | 1 1/4 | C | 7 5/8 | 3 1/8 | 4 5/16 | 3/8 | 1/2 |
| 12-835 | 1 1/4 | D | 8 5/8 | 3 1/8 | 4 5/16 | 3/8 | 1/2 |
| 12-837 | 1 1/2 | B | 7 5/8 | 3 1/16 | 4 3/8 | 1/2 | 1/2 |
| 12-838 | 1 1/2 | C | 7 5/8 | 3 1/16 | 4 3/8 | 1/2 | 1/2 |
| 12-839 | 1 1/2 | D | 8 3/4 | 3 1/16 | 4 3/8 | 1/2 | 1/2 |
| 12-842 | 2 | B | 8 1/2 | 3 1/8 | 5 1/8 | 1/2 | 1/2 |
| 12-843 | 2 | C | 8 1/2 | 3 1/8 | 5 1/8 | 1/2 | 1/2 |
| 12-844 | 2 | D | 9 1/2 | 3 1/8 | 5 1/8 | 1/2 | 1/2 |
| 12-847 | 2 1/2 | B | 10 1/2 | 4 | 6 1/8 | 1/2 | 5/8 |
| 12-848 | 2 1/2 | C | 10 1/2 | 4 | 6 1/8 | 1/2 | 5/8 |
| 12-849 | 2 1/2 | D | 11 | 4 | 6 1/8 | 1/2 | 5/8 |
| 12-852 | 3 | B | 10 3/8 | 3 15/16 | 7 | 5/8 | 5/8 |
| 12-853 | 3 | C | 10 1/4 | 3 15/16 | 7 | 5/8 | 5/8 |
| 12-854 | 3 | D | 11 7/8 | 3 15/16 | 7 | 5/8 | 5/8 |
| 12-858 | 3 1/2 | B | 10 1/2 | 3 3/4 | 7 1/2 | 3/4 | 5/8 |
| 12-859 | 3 1/2 | C | 10 1/2 | 3 3/4 | 7 1/2 | 3/4 | 5/8 |
| 12-860 | 3 1/2 | D | 11 3/4 | 3 3/4 | 7 1/2 | 3/4 | 5/8 |
| 12-864 | 4 | B | 11 1/2 | 4 5/8 | 8 1/2 | 3/4 | 5/8 |
| 12-865 | 4 | C | 11 1/2 | 4 5/8 | 8 1/2 | 3/4 | 5/8 |
| 12-866 | 4 | D | 12 1/2 | 4 5/8 | 8 1/2 | 3/4 | 5/8 |
| 12-870 | 4 1/2 | B | 12 1/8 | 4 3/4 | 9 1/8 | 3/4 | 5/8 |
| 12-871 | 4 1/2 | C | 12 1/8 | 4 3/4 | 9 1/8 | 3/4 | 5/8 |
| 12-872 | 4 1/2 | D | 13 1/8 | 4 3/4 | 9 1/8 | 3/4 | 5/8 |
| 12-876 | 5 | B | 13 1/8 | 5 1/16 | 9 5/8 | 1 | 5/8 |
| 12-877 | 5 | C | 13 1/8 | 5 1/16 | 9 5/8 | 1 | 5/8 |
| 12-878 | 5 | D | 14 3/8 | 5 1/16 | 9 5/8 | 1 | 5/8 |
| 12-882 | 6 | B | 14 | 6 | 11 | 1 1/8 | 5/8 |
| 12-883 | 6 | C | 14 | 6 | 11 | 1 1/8 | 5/8 |
| 12-884 | 6 | D | 15 | 6 | 11 | 1 1/8 | 5/8 |