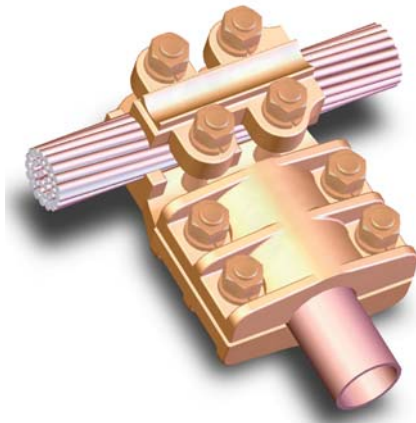


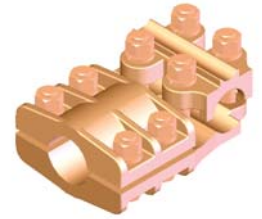
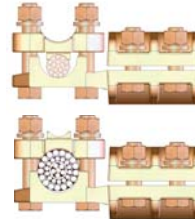
BRONZE TEE CONNECTORS, CABLE RUN TO PIPE TAP

SECTION

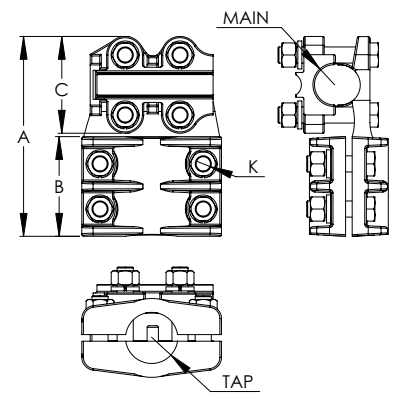
12-7



Wide Range
denoted by: *



BRONZE TEE CONNECTORS CABLE RUN TO PIPE TAP							
CATALOG NUMBER	CABLE MAIN		PIPE TAP	DIMENSIONS IN INCHES			
	AWG MIN.	or MCM MAX.		A	B	C	K
12-932*	8	600	3/4	5 1/4	2 7/8	2 1/4	3/8
12-933*	4/0	1000	3/4	5 7/8	2 7/8	3	3/8
12-935*	8	600	1	5 3/8	3 1/8	2 1/4	3/8
12-936*	4/0	1000	1	5 1/8	3 1/8	3	3/8
12-938*	8	600	1 1/4	5 3/8	3 1/8	2 1/4	3/8
12-939*	4/0	1000	1 1/4	6 1/8	3 1/8	3	1/2
12-940*	8	600	1 1/2	5 1/2	3 1/4	2 1/4	1/2
12-941*	4/0	1000	1 1/2	6 1/4	3 1/4	3	1/2
12-942*	8	600	2	5 1/2	3 1/4	2 1/4	1/2
12-943*	4/0	1000	2	6 1/4	3 1/4	3	1/2
12-944	1000	1500	2	6 1/2	3 1/4	3 1/4	1/2
12-945*	4/0	1000	2 1/2	6 7/8	3 7/8	3	1/2
12-946	1000	1500	2 1/2	7 1/8	3 7/8	3 1/4	1/2
12-947	1500	2000	2 1/2	7 1/8	3 7/8	3 1/4	1/2



Designed to connect a pipe tap to a cable with maximum dependability, the Type BTCP is cast of a copper alloy for high conductivity and natural resistance to corrosion and stress. Silicon bronze clamping hardware reinforces the strength and durability of the connector. Recessed bolt heads are conveniently provided to expedite installation.