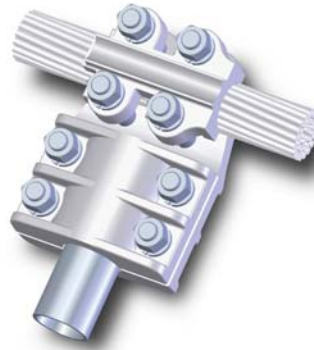
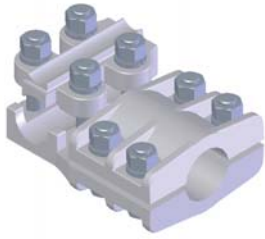


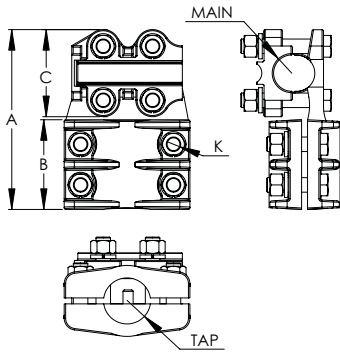
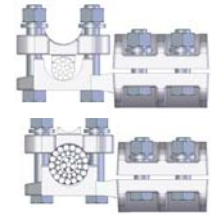
SECTION

12-7A

ALUMINUM TEE CONNECTORS,
CABLE RUN TO PIPE TAP



Wide Range
denoted by: *



Inexpensive and light-weight because of its aluminum alloy casting, the Type ATCP joins a pipe tap to a cable main. Clamping hardware is made of high tensile aluminum. All bolt heads are also recessed for easier single-wrench installation.

ALUMINUM TEE CONNECTORS CABLE RUN TO PIPE TAP									
CATALOG NUMBER	ALUM. MAIN		ACSR MAIN		PIPE TAP IPS	DIMENSIONS IN INCHES			
	AWG MIN.	or MCM MAX.	AWG MIN.	or MCM MAX.		A	B	C	K
12-948	4	477	4	397	1/2	4 3/4	2 1/2	2 1/2	1/2
12-949	4	477	4	397	3/4	5	2 7/8	2 1/2	1/2
12-957*	4	954	4	795	1/2	6 5/8	2 1/2	2 5/8	1/2
12-958*	4	954	4	795	3/4	5 1/2	2 7/8	2 5/8	1/2
12-959*	4	954	4	795	1	5 3/4	3 1/8	2 5/8	1/2
12-960*	4	954	4	795	1 1/4	6	3 1/8	2 5/8	1/2
12-961*	4	954	4	795	1 1/2	6 1/4	3 1/4	2 5/8	1/2
12-962*	4	954	4	795	2	6 1/2	3 1/4	2 5/8	1/2
12-963	900	1250	715.5	1113	1/2	6	2 1/2	3 1/4	1/2
12-964	900	1250	715.5	1113	3/4	6 1/2	2 7/8	3 1/4	1/2
12-965	900	1250	715.5	1113	1	6 3/4	3 1/8	3 1/4	1/2
12-966	900	1250	715.5	1113	1 1/4	7	3 1/8	3 1/4	1/2
12-967	900	1250	715.5	1113	1 1/2	7 1/4	3 1/4	3 1/4	1/2
12-968	900	1250	715.5	1113	2	7 1/2	3 1/4	3 1/4	1/2
12-969	900	1250	715.5	1113	2 1/2	7 3/4	3 7/8	3 1/4	5/8
12-970	1272	1590	1113	1250	1/2	6 3/4	2 1/2	3 1/4	1/2
12-971	1272	1590	1113	1250	3/4	7	2 7/8	3 1/4	1/2
12-972	1272	1590	1113	1250	1	7 1/4	3 1/8	3 1/4	1/2
12-973	1272	1590	1113	1250	1 1/4	7 1/2	3 1/8	3 1/4	1/2
12-974	1272	1590	1113	1250	1 1/2	7 3/4	3 1/4	3 1/4	1/2
12-975	1272	1590	1113	1250	2	8	3 1/4	3 1/4	1/2
12-976	1272	1590	1113	1250	2 1/2	8 1/4	3 7/8	3 1/4	5/8
12-977	1272	1590	1113	1250	3	8 1/2	4	3 1/4	5/8
12-978	1590	2000	1272	1590	1/2	7	2 1/2	3 3/4	1/2
12-979	1590	2000	1272	1590	3/4	7 1/4	2 7/8	3 3/4	1/2
12-980	1590	2000	1272	1590	1	7 1/2	3 1/8	3 3/4	1/2
12-981	1590	2000	1272	1590	1 1/4	7 3/4	3 1/8	3 3/4	1/2
12-982	1590	2000	1272	1590	1 1/2	8	3 1/4	3 3/4	1/2
12-983	1590	2000	1272	1590	2	8 1/4	3 1/4	3 3/4	1/2
12-984	1590	2000	1272	1590	2 1/2	8 1/2	3 7/8	3 3/4	5/8
12-985	1590	2000	1272	1590	3	8 3/4	4	3 3/4	5