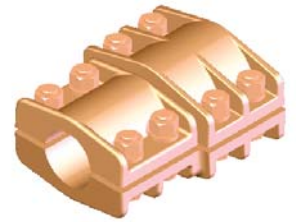
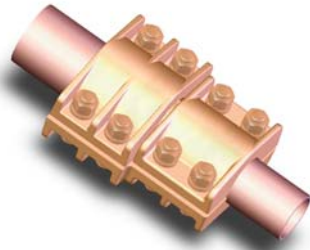


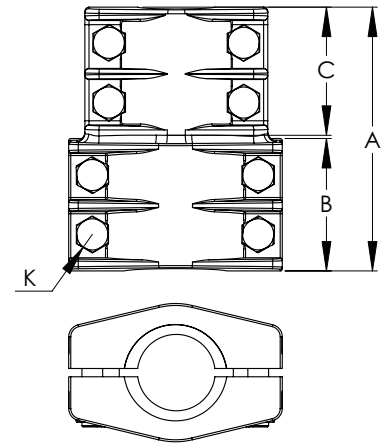
BRONZE COUPLER-REDUCERS, PIPE TO PIPE

SECTION

13-1



BRONZE COUPLER-REDUCERS, PIPE TO PIPE						
CATALOG NUMBER	IPS MAIN	IPS TAP	DIMENSIONS IN INCHES			
			A	B	C	K
13-101	1/2	1/2	5	2 1/2	2 1/2	3/8
13-102	3/4	1/2	5 3/8	2 7/8	2 1/2	3/8
13-103	3/4	3/4	5 3/4	2 7/8	2 7/8	3/8
13-104	1	1/2	5 3/8	3 1/8	2 1/2	3/8
13-105	1	3/4	6	3 1/8	2 7/8	3/8
13-106	1	1	6 1/4	3 1/8	3 1/8	3/8
13-107	1 1/4	1/2	5 5/8	3 1/8	2 1/2	3/8
13-108	1 1/4	3/4	6	3 1/8	2 7/8	3/8
13-109	1 1/4	1	6 1/4	3 1/8	3 1/8	3/8
13-110	1 1/4	1 1/4	6 1/4	3 1/8	3 1/8	1/2
13-111	1 1/2	1/2	5 3/4	3 1/4	2 1/2	3/8
13-112	1 1/2	3/4	6 1/8	3 1/4	2 7/8	3/8
13-113	1 1/2	1	6 3/8	3 1/4	3 1/8	3/8
13-114	1 1/2	1 1/4	6 3/8	3 1/4	3 1/8	1/2
13-115	1 1/2	1 1/2	6 1/2	3 1/4	3 1/4	1/2
13-116	2	3/4	6 1/8	3 1/4	2 7/8	3/8
13-117	2	1	6 3/8	3 1/4	3 1/8	3/8
13-118	2	1 1/4	6 3/8	3 1/4	3 1/8	1/2
13-119	2	1 1/2	6 1/2	3 1/4	3 1/4	1/2
13-120	2	2	6 1/2	3 1/4	3 1/4	1/2
13-121	2 1/2	3/4	6 3/4	3 7/8	2 7/8	3/8
13-122	2 1/2	1	7	3 7/8	3 1/8	3/8
13-123	2 1/2	1 1/4	7	3 7/8	3 1/8	1/2
13-124	2 1/2	1 1/2	7 1/8	3 7/8	3 1/4	1/2
13-125	2 1/2	2	7 1/8	3 7/8	3 1/4	1/2
13-126	2 1/2	2 1/2	7 3/4	3 7/8	3 7/8	1/2
13-127	3	1	7 1/8	4	3 1/8	3/8
13-128	3	1 1/4	7 1/8	4	3 1/8	1/2
13-129	3	1 1/2	7 1/4	4	3 1/4	1/2
13-130	3	2	7 1/4	4	3 1/4	1/2
13-131	3	2 1/2	7 7/8	4	3 7/8	1/2
13-132	3	3	8	4	4	5/8
13-133	3 1/2	1 1/4	6 7/8	3 3/4	3 1/8	1/2
13-134	3 1/2	1 1/2	7	3 3/4	3 1/4	1/2
13-135	3 1/2	2	7	3 3/4	3 1/4	1/2
13-136	3 1/2	2 1/2	7 5/8	3 3/4	3 7/8	1/2
13-137	3 1/2	3	7 3/4	3 3/4	4	5/8
13-138	3 1/2	3 1/2	7 1/2	3 3/4	3 3/4	5/8
13-139	4	1 1/2	7 7/8	4 5/8	3 1/4	1/2
13-140	4	2	7 7/8	4 5/8	3 1/4	1/2
13-141	4	2 1/2	8 1/2	4 5/8	3 7/8	1/2
13-142	4	3	8 5/8	4 5/8	4	5/8
13-143	4	3 1/2	8 3/8	4 5/8	3 3/4	5/8
13-144	4	4	9 1/4	4 5/8	4 5/8	5/8



A heavy duty connector which joins pipes of the same or different sizes end on end, the Type BRPP coupler-reducer combines the rugged durability and high conductivity of its copper alloy casting with high strength silicon bronze clamping hardware. Bolt heads are recessed to permit single-wrench installation.

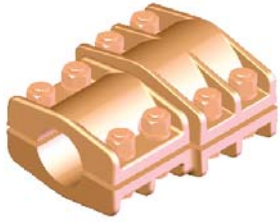
Continued on next page

SECTION

13-1

BRONZE COUPLER-REDUCERS,
PIPE TO PIPE

Continued from previous page



BRONZE COUPLER-REDUCERS, PIPE TO PIPE						
CATALOG NUMBER	IPS MAIN	IPS TAP	A	DIMENSIONS IN INCHES		
				B	C	K
13-145	4 1/2	1 1/2	7 1/8	4 7/8	3 1/4	1/2
13-146	4 1/2	2	7 1/8	4 7/8	3 1/4	1/2
13-147	4 1/2	2 1/2	8 3/4	4 7/8	3 7/8	1/2
13-148	4 1/2	3	8 7/8	4 7/8	4	5/8
13-149	4 1/2	3 1/2	8 5/8	4 7/8	3 3/4	5/8
13-150	4 1/2	4	9 1/2	4 7/8	4 5/8	5/8
13-151	4 1/2	4 1/2	9 3/4	4 7/8	4 7/8	5/8
13-152	5	2	8 1/4	5	3 1/4	1/2
13-153	5	2 1/2	8 7/8	5	3 7/8	1/2
13-154	5	3	9	5	4	5/8
13-155	5	3 1/2	8 3/4	5	3 3/4	5/8
13-156	5	4	9 5/8	5	4 5/8	5/8
13-157	5	4 1/2	9 7/8	5	4 7/8	5/8
13-158	5	5	10	5	5	5/8
13-159	6	2 1/2	9 7/8	6	3 7/8	1/2
13-160	6	3	10	6	4	5/8
13-161	6	3 1/2	9 3/4	6	3 3/4	5/8
13-162	6	4	10 5/8	6	4 5/8	5/8
13-163	6	4 1/2	10 7/8	6	4 7/8	5/8
13-164	6	5	11	6	5	5/8
13-165	6	6	12	6	6	5/8

