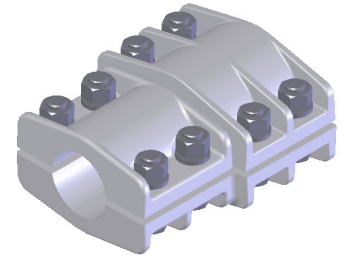
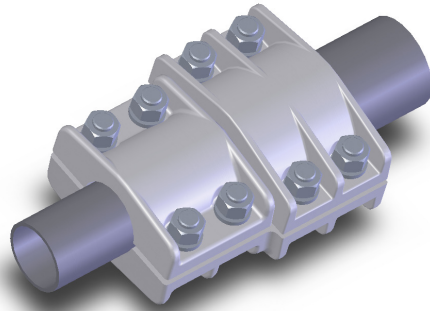


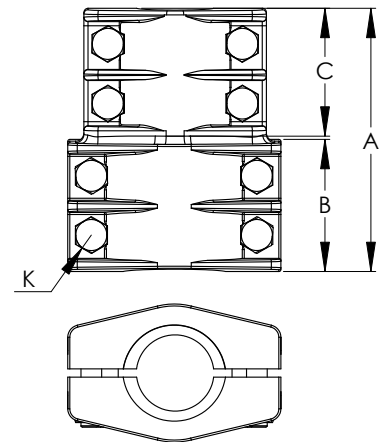
# ALUMINUM COUPLER-REDUCERS, PIPE TO PIPE

SECTION

13-1A



CATALOG NUMBER	IPS MAIN	IPS TAP	DIMENSIONS IN INCHES			
			A	B	C	K
13-166	1/2	1/2	8	4	4	1/2
13-167	3/4	1/2	6 3/4	2 3/4	4	1/2
13-168	3/4	3/4	5 1/2	2 3/4	2 3/4	1/2
13-169	1	1/2	7 3/16	3 3/16	4	1/2
13-170	1	3/4	5 15/16	3 3/16	2 3/4	1/2
13-171	1	1	6 3/8	3 3/16	3 3/16	1/2
13-172	1 1/4	1/2	7 1/8	3 1/8	4	1/2
13-173	1 1/4	3/4	5 7/8	3 1/8	2 3/4	1/2
13-174	1 1/4	1	6 5/16	3 1/8	3 3/16	1/2
13-175	1 1/4	1 1/4	6 1/4	3 1/8	3 1/8	1/2
13-176	1 1/2	1/2	7 1/16	3 1/16	4	1/2
13-177	1 1/2	3/4	5 13/16	3 1/16	2 3/4	1/2
13-178	1 1/2	1	6 1/4	3 1/16	3 3/16	1/2
13-179	1 1/2	1 1/4	6 3/16	3 1/16	3 1/8	1/2
13-180	1 1/2	1 1/2	6 1/8	3 1/16	3 1/16	1/2
13-181	2	3/4	5 7/8	3 1/8	2 3/4	1/2
13-182	2	1	6 5/16	3 1/8	3 3/16	1/2
13-183	2	1 1/4	6 1/4	3 1/8	3 1/8	1/2
13-184	2	1 1/2	6 3/16	3 1/8	3 1/16	1/2
13-185	2	2	6 1/4	3 1/8	3 1/8	1/2
13-186	2 1/2	3/4	6 3/4	4	2 3/4	5/8 & 1/2
13-187	2 1/2	1	7 3/16	4	3 3/16	5/8 & 1/2
13-188	2 1/2	1 1/4	7 1/8	4	3 1/8	5/8 & 1/2
13-189	2 1/2	1 1/2	7 1/16	4	3 1/16	5/8 & 1/2
13-190	2 1/2	2	7 1/8	4	3 1/8	5/8 & 1/2
13-191	2 1/2	2 1/2	8	4	4	5/8
13-192	3	1	7 1/8	3 15/16	3 3/16	5/8 & 1/2
13-193	3	1 1/4	7 1/16	3 15/16	3 1/8	5/8 & 1/2
13-194	3	1 1/2	7	3 15/16	3 1/16	5/8 & 1/2
13-195	3	2	7 1/16	3 15/16	3 1/8	5/8 & 1/2
13-196	3	2 1/2	7 15/16	3 15/16	4	5/8
13-197	3	3	7 7/8	3 15/16	3 15/16	5/8
13-198	3 1/2	1 1/4	6 7/8	3 3/4	3 1/8	5/8 & 1/2
13-199	3 1/2	1 1/2	6 13/16	3 3/4	3 1/16	5/8 & 1/2
13-200	3 1/2	2	6 7/8	3 3/4	3 1/8	5/8 & 1/2
13-201	3 1/2	2 1/2	7 3/4	3 3/4	4	5/8
13-202	3 1/2	3	7 11/16	3 3/4	3 15/16	5/8
13-203	3 1/2	3 1/2	7 1/2	3 3/4	3 3/4	5/8

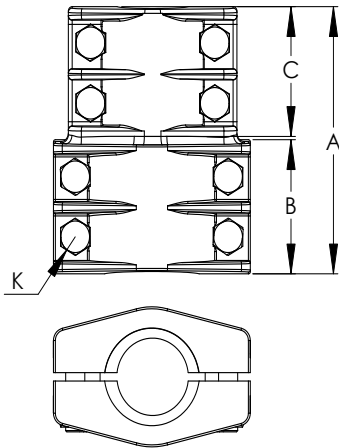
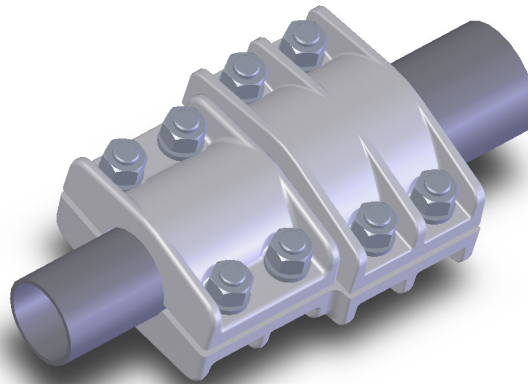
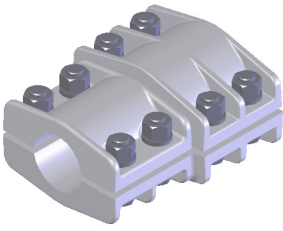


Cast of a lightweight aluminum alloy, Type ARPP couples pipes of the same or different sizes end on end. Bolts, nuts, and lockwashers made of high tensile aluminum provide clamping efficiency and resistance to corrosion. All bolt heads are captivated for single-wrench installation.

Continued on next page

## SECTION

## 13-1A

ALUMINUM COUPLER-REDUCERS,  
PIPE TO PIPE, continued

Continued from previous page

CATALOG NUMBER	IPS MAIN	IPS TAP	DIMENSIONS IN INCHES			
			A	B	C	K
13-204	4	1 1/2	7 11/16	4 5/8	3 1/16	5/8 & 1/2
13-205	4	2	7 3/4	4 5/8	3 1/8	5/8 & 1/2
13-206	4	2 1/2	8 5/8	4 5/8	4	5/8
13-207	4	3	8 9/16	4 5/8	3 15/16	5/8
13-208	4	3 1/2	8 3/8	4 5/8	3 3/4	5/8
13-209	4	4	9 1/4	4 5/8	4 5/8	5/8
13-210	4 1/2	1 1/2	7 13/16	4 3/4	3 1/16	5/8 & 1/2
13-211	4 1/2	2	7 7/8	4 3/4	3 1/8	5/8 & 1/2
13-212	4 1/2	2 1/2	8 3/4	4 3/4	4	5/8
13-213	4 1/2	3	8 11/16	4 3/4	3 15/16	5/8
13-214	4 1/2	3 1/2	8 1/2	4 3/4	3 3/4	5/8
13-215	4 1/2	4	9 3/8	4 3/4	4 5/8	5/8
13-216	4 1/2	4 1/2	9 1/2	4 3/4	4 3/4	5/8
13-217	5	2	8 3/16	5 1/16	3 1/8	5/8 & 1/2
13-218	5	2 1/2	9 1/16	5 1/16	4	5/8
13-219	5	3	9	5 1/16	3 15/16	5/8
13-220	5	3 1/2	8 13/16	5 1/16	3 3/4	5/8
13-221	5	4	9 11/16	5 1/16	4 5/8	5/8
13-222	5	4 1/2	9 13/16	5 1/16	4 3/4	5/8
13-223	5	5	10 1/8	5 1/16	5 1/16	5/8
13-224	6	2 1/2	10	6	4	5/8
13-225	6	3	9 15/16	6	3 15/16	5/8
13-226	6	3 1/2	9 3/4	6	3 3/4	5/8
13-227	6	4	10 5/8	6	4 5/8	5/8
13-228	6	4 1/2	10 3/4	6	4 3/4	5/8
13-229	6	5	11 1/16	6	5 1/16	5/8
13-230	6	6	12	6	6	5/8

Cast of a lightweight aluminum alloy, type ARPP couples pipes of the same or different sizes end on end.

Bolts, nuts, and lockwashers made of high tensile aluminum provide clamping efficiency and resistance to corrosion.

All bolt heads are captivated for single-wrench installation.