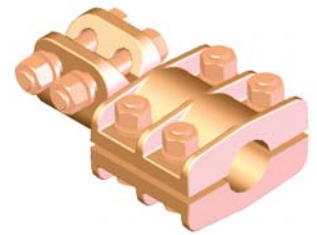
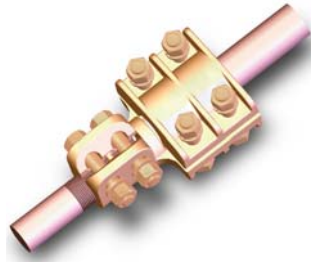


# BRONZE STUD CONNECTORS STUD TO PIPE

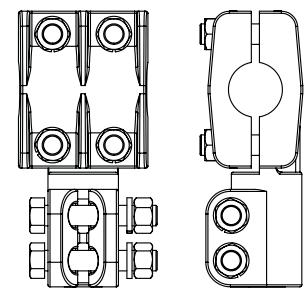
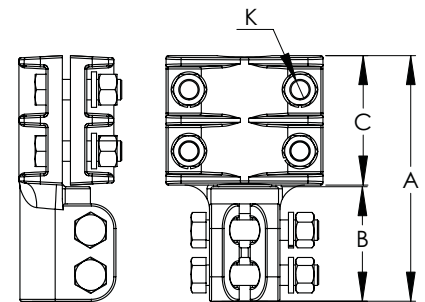
SECTION

14-1



BRONZE  
STUD CONNECTORS STUD TO PIPE

CATALOG NUMBER	STUD SIZE	PIPE SIZE IPS	DIMENSIONS IN INCHES			
			A	B	C	K
14-101	1/2-13	1/2	5 3/8	2 7/8	2 1/2	3/8
14-102	1/2-13	3/4	5 3/4	2 7/8	2 7/8	3/8
14-103	1/2-13	1	6	2 7/8	3 1/8	3/8
14-104	3/4-16	1/2	5 3/8	2 7/8	2 1/2	3/8
14-105	3/4-16	3/4	5 3/4	2 7/8	2 7/8	3/8
14-106	3/4-16	1	6	2 7/8	3 1/8	3/8
14-107	1-14	1/2	5	2 1/2	2 1/2	3/8
14-108	1-14	3/4	5 3/8	2 1/2	2 7/8	3/8
14-109	1-14	1	5 5/8	2 1/2	3 1/8	3/8
14-110	1-14	1 1/4	5 5/8	2 1/2	3 1/8	3/8
14-111	1 1/8-12	1/2	5	2 1/2	2 1/2	3/8
14-112	1 1/8-12	3/4	5 3/8	2 1/2	2 7/8	3/8
14-113	1 1/8-12	1	5 5/8	2 1/2	3 1/8	3/8
14-114	1 1/8-12	1 1/4	5 5/8	2 1/2	3 1/8	1/2
14-115	1 1/4-12	1/2	5 1/2	3	2 1/2	3/8
14-116	1 1/4-12	3/4	5 7/8	3	2 7/8	3/8
14-117	1 1/4-12	1	6 1/8	3	3 1/8	3/8
14-118	1 1/4-12	1 1/4	6 1/8	3	3 1/8	1/2
14-119	1 1/4-12	1 1/2	6 1/4	3	3 1/4	1/2
14-120	1 1/2-12	1/2	5 1/2	3	2 1/2	3/8
14-121	1 1/2-12	3/4	5 7/8	3	2 7/8	3/8
14-122	1 1/2-12	1	5 1/8	3	3 1/8	3/8
14-123	1 1/2-12	1 1/4	6 1/8	3	3 1/8	1/2
14-124	1 1/2-12	1 1/2	6 1/4	3	3 1/4	1/2
14-125	1 1/2-12	2	6 1/4	3	3 1/4	1/2
14-126	1 3/4-12	3/4	5 7/8	3	2 7/8	3/8
14-127	1 3/4-12	1	6 1/8	3	3 1/8	3/8
14-128	1 3/4-12	1 1/4	6 1/8	3	3 1/8	1/2
14-129	1 3/4-12	1 1/2	6 1/4	3	3 1/4	1/2
14-130	1 3/4-12	2	6 1/4	3	3 1/4	1/2
14-131	2-12	1	6 1/8	3	3 1/8	3/8
14-132	2-12	1 1/4	6 1/8	3	3 1/8	1/2
14-133	2-12	1 1/2	6 1/4	3	3 1/4	1/2
14-134	2-12	2	6 1/4	3	3 1/4	1/2
14-135	2-12	2 1/2	6 7/8	3	3 7/8	1/2
14-136	2 1/4-12	1 1/4	6 1/2	3 3/8	3 1/8	1/2
14-137	2 1/4-12	1 1/2	6 5/8	3 3/8	3 1/4	1/2
14-138	2 1/4-12	2	6 5/8	3 3/8	3 1/4	1/2
14-139	2 1/4-12	2 1/2	7 1/4	3 3/8	3 7/8	1/2
14-140	2 1/2-12	1 1/2	6 5/8	3 3/8	3 1/4	1/2
14-141	2 1/2-12	2	6 5/8	3 3/8	3 1/4	1/2
14-142	2 1/2-12	2 1/2	7 1/4	3 3/8	3 7/8	1/2
14-143	2 1/2-12	3	7 3/8	3 3/8	4	1/2
14-144	2 3/4-12	1 1/2	6 3/4	3 1/2	3 1/4	1/2
14-145	2 3/4-12	2	6 3/4	3 1/2	3 1/4	1/2
14-146	2 3/4-12	2 1/2	7 3/8	3 1/2	3 7/8	1/2
14-147	2 3/4-12	3	7 1/2	3 1/2	4	5/8
14-148	2 3/4-12	3 1/2	7 1/4	3 1/2	3 3/4	5/8



90 DEGREE  
(USE SUFFIX -90)

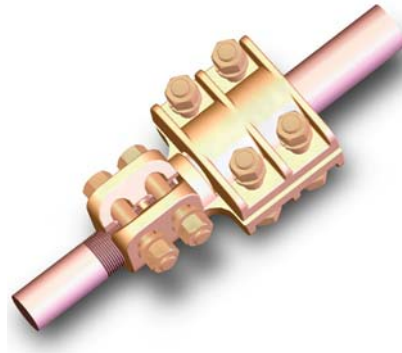
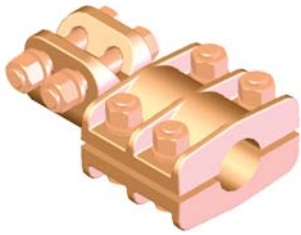
Cast of high conductivity copper alloy, the Type BSP efficiently connects a threaded stud to a pipe bus. Bolts, nuts, and lockwashers are high strength silicon bronze.

For unthreaded studs or stud sizes not listed, please specify with the order. Tubes at 90° to the stud will also be readily provided so long as the suffix "-90" is added to the catalog number.

Continued on next page

## SECTION

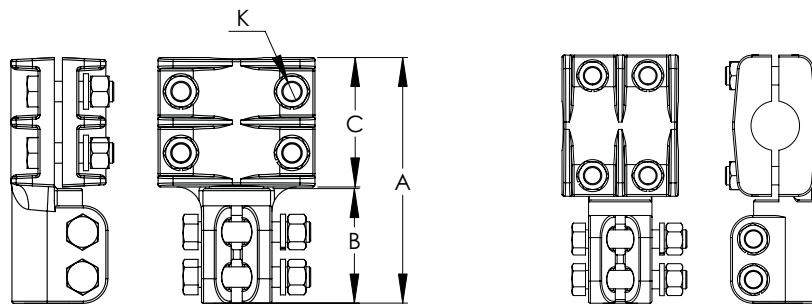
## 14-1

BRONZE STUD CONNECTORS  
STUD TO PIPE

Continued from previous page

For unthreaded studs or stud sizes not listed, please specify with the order. Pipes at 90° to the stud will also be readily provided so long as the suffix "-90" is added to the catalog number.

BRONZE STUD CONNECTORS STUD TO PIPE						
CATALOG NUMBER	STUD SIZE	PIPE SIZE IPS	DIMENSIONS IN INCHES			
			A	B	C	K
14-149	3-12	2	7 1/8	3 7/8	3 1/4	1/2
14-150	3-12	2 1/2	7 3/4	3 7/8	3 7/8	1/2
14-151	3-12	3	7 7/8	3 7/8	4	5/8
14-152	3-12	3 1/2	7 5/8	3 7/8	3 3/4	5/8
14-153	3-12	4	8 1/2	3 7/8	4 5/8	5/8
14-154	3 1/4-12	2 1/2	7 3/4	3 7/8	3 7/8	1/2
14-155	3 1/4-12	3	7 7/8	3 7/8	4	5/8
14-156	3 1/4-12	3 1/2	7 5/8	3 7/8	3 3/4	5/8
14-157	3 1/4-12	4	8 1/2	3 7/8	4 5/8	5/8
14-158	3 1/2-12	2 1/2	7 7/8	4	3 7/8	1/2
14-159	3 1/2-12	3	8	4	4	5/8
14-160	3 1/2-12	3 1/2	7 3/4	4	3 3/4	5/8
14-161	3 1/2-12	4	7 5/8	4	4 5/8	5/8
14-162	4-12	2 1/2	7 7/8	4	3 7/8	1/2
14-163	4-12	3	8	4	4	5/8
14-164	4-12	3 1/2	7 3/4	4	3 3/4	5/8
14-165	4-12	4	7 5/8	4	4 5/8	5/8



90 DEGREE  
(USE SUFFIX -90)