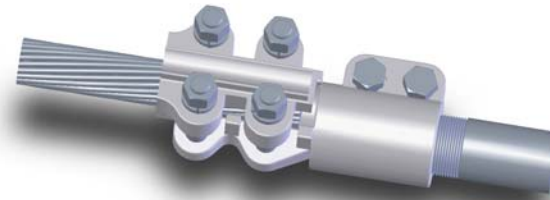
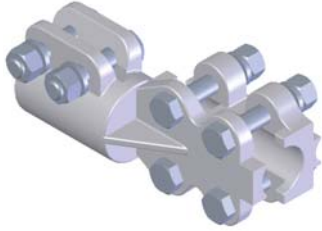
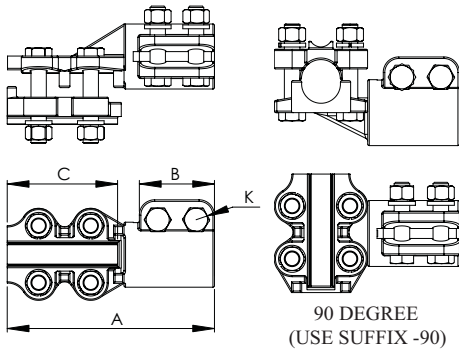
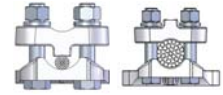


SECTION

14-2A

ALUMINUM STUD CONNECTORS
STUD TO CABLEWide Range
denoted by: *

An efficient connector for joining a threaded stud to a cable, the Type ASC relies on a lightweight aluminum alloy for its durability. High tensile aluminum bolts, nuts, and lockwashers increase clamping strength and resist corrosion.

Orders for cables at 90° to the stud require the addition of the suffix “-90” to the catalog number.

Unthreaded studs or stud sizes not listed must be specified with the order.

ALUMINUM
STUD CONNECTORS STUD TO CABLE

CATALOG NUMBER	STUD SIZE	ALUMINUM AWG or MCM		ACSR AWG or MCM		DIMENSIONS IN INCHES			
		MIN.	MAX.	MIN.	MAX.	A	B	C	K
14-276	1/2-13	4	477	4	397	6 3/8	2 7/8	3 1/4	3/8
14-277	3/4-16	4	477	4	397	6 3/8	2 7/8	3 1/4	3/8
14-281*	1-14	4	954	4	795	6 1/2	2 1/2	4	3/8
14-285*	1 1/8-12	4	954	4	795	6 1/2	2 1/2	4	1/2
14-289*	1 1/4-12	4	954	4	795	7	3	4	1/2
14-292*	1 1/2-12	4	954	4	795	7	3	4	1/2
14-293	1 1/2-12	900	1250	715.5	1113	7 3/8	3	4 3/8	1/2
14-296*	1 3/4-12	4	954	4	795	7	3	4	1/2
14-297	1 3/4-12	900	1250	715.5	1113	7 3/8	3	4 3/8	1/2
14-299*	2-12	4	954	4	795	7	3	4	1/2
14-300	2-12	900	1250	715.5	1113	7 3/8	3	4 3/8	1/2
14-301	2-12	1272	1590	1113	1250	7 3/8	3	4 3/8	1/2
14-302*	2 1/4-12	4	954	4	795	7 3/8	3 3/8	4	1/2
14-303	2 1/4-12	900	1250	715.5	1113	7 3/4	3 3/8	4 3/8	1/2
14-304	2 1/4-12	1272	1590	1113	1250	7 3/4	3 3/8	4 3/8	1/2
14-305*	2 1/2-12	4	954	4	795	7 3/8	3 3/8	4	1/2
14-306	2 1/2-12	900	1250	715.5	1113	7 3/4	3 3/8	4 3/8	1/2
14-307	2 1/2-12	1272	1590	1113	1250	7 3/4	3 3/8	4 3/8	1/2
14-308	2 1/2-12	1590	2000	1272	1590	7 7/8	3 3/8	4 1/2	1/2
14-309*	2 3/4-12	4	954	4	795	7 5/8	3 5/8	4	1/2
14-310	2 3/4-12	900	1250	715.5	1113	8	3 5/8	4 3/8	5/8
14-311	2 3/4-12	1272	1590	1113	1250	8	3 5/8	4 3/8	5/8
14-312	2 3/4-12	1590	2000	1272	1590	8 1/8	3 5/8	4 1/2	5/8
14-313*	3-12	4	954	4	795	7 7/8	3 7/8	4	1/2
14-314	3-12	900	1250	715.5	1113	8 1/4	3 7/8	4 3/8	5/8
14-315	3-12	1272	1590	1113	1250	8 1/4	3 7/8	4 3/8	5/8
14-316	3-12	1590	2000	1272	1590	8 3/8	3 7/8	4 1/2	5/8
14-317	3 1/4-12	900	1250	715.5	1113	8 1/4	3 7/8	4 3/8	5/8
14-318	3 1/4-12	1272	1590	1113	1250	8 1/4	3 7/8	4 3/8	5/8
14-319	3 1/4-12	1590	2000	1272	1590	8 3/8	3 7/8	4 1/2	5/8
14-320	3 1/2-12	900	1250	715.5	1113	8 3/8	4	4 3/8	5/8
14-321	3 1/2-12	1272	1590	1113	1250	8 3/8	4	4 3/8	5/8
14-322	3 1/2-12	1590	2000	1272	1590	8 1/2	4	4 1/2	5/8
14-323	4-12	900	1250	715.5	1113	8 3/8	4	4 3/8	5/8
14-324	4-12	1272	1590	1113	1250	8 3/8	4	4 3/8	5/8
14-325	4-12	1590	2000	1272	1590	8 1/2	4	4 1/2	5/8