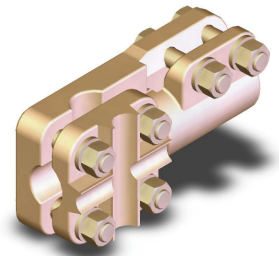
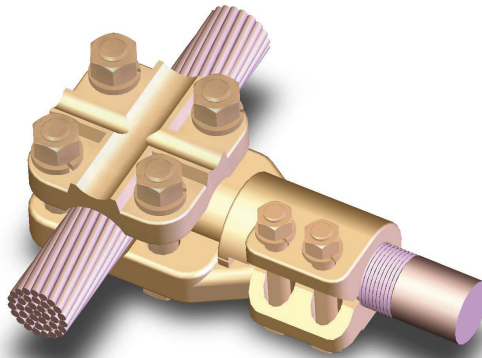
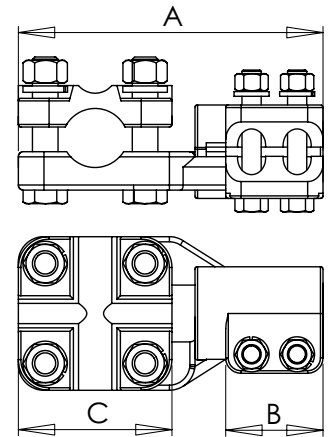


# BRONZE STUD CONNECTORS STUD TO CABLE (PARALLEL OR PERPENDICULAR)

## SECTION 14-2WRX



BRONZE STUD CONNECTORS STUD TO CABLE (PARALLEL OR PERPENDICULAR)							
CATALOG NUMBER	STUD SIZE	CABLE SIZE		DIMENSIONS IN INCHES			
		AWG MIN.	or MCM MAX.	A	B	C	K
14-231-WRX	1/2-13	2	800	5 1/4	2	2 1/2	3/8
14-232-WRX	5/8-11	2	800	5 1/4	2	2 1/2	3/8
14-233-WRX	3/4-16	2	800	5 1/4	2	2 1/2	3/8
14-235-WRX	1-14	2	800	6	1 7/8	3	1/2
14-238-WRX	1 1/8-12	2	800	6	1 7/8	3	1/2
14-241-WRX	1 1/4-12	2	1000	6 5/8	2 7/8	3	1/2
14-244-WRX	1 1/2-12	2	1000	6 5/8	2 7/8	3	1/2
14-245-WRX	1 3/4-12	2	1000	6 5/8	2 7/8	3	1/2
14-247-WRX	2-12	2	1000	6 3/4	3 3/8	3	1/2
14-251-WRX	2 1/4-12	2	1000	6 3/4	3 3/8	3	1/2
14-255-WRX	2 1/2-12	2	1000	5 7/8	2 1/2	3	1/2
14-259-WRX	2 3/4-12	2	1000	5 7/8	2 1/2	3	1/2
14-263-WRX	3-12	2	1000	6 3/4	3 3/8	3	1/2
14-267-WRX	3 1/4-12	2	1000	6 7/8	3 1/2	3	1/2
14-270-WRX	3 1/2-12	2	1000	6 7/8	3 1/2	3	1/2
14-273-WRX	4-12	2	1000	6 7/8	3 1/2	3	1/2



A strong and dependable connector for joining a threaded stud to a cable, the Type BSCX relies on a high conductivity copper alloy for its durability. Clamping hardware is silicon bronze.

For unthreaded studs or stud sizes not listed, please specify with the order.