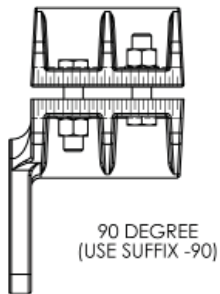
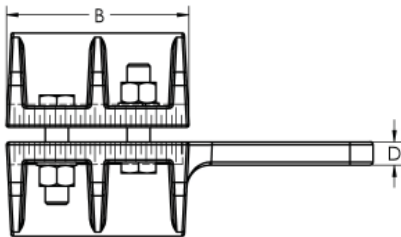
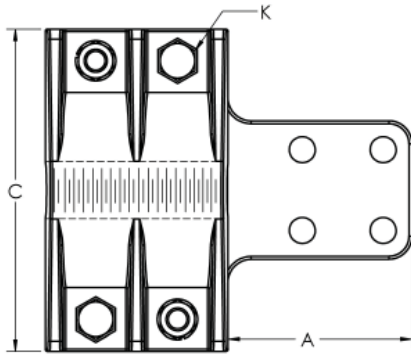


SECTION

14-3A

ALUMINUM STUD CONNECTORS
STUD TO BAR

Manufactured of a light-weight aluminum alloy, the Type ASTB, which connects a threaded stud to a flat bar bus, features clamping hardware of high tensile aluminum for resistance to corrosion.

ALUMINUM STUD CONNTCTORS STUD TO BAR							
CATALOG NUMBER	STUD SIZE	PAD STYLE	DIMENSIONS IN INCHES				
			A	B	C	D	K
14-402	1/2-13	B	3 3/4	2 7/8	3 7/8	9/16	3/8
14-403	1/2-13	C	3 3/4	2 7/8	3 7/8	9/16	3/8
14-404	1/2-13	D	4 3/4	2 7/8	3 7/8	9/16	3/8
14-405	3/4-16	B	3 3/4	2 7/8	3 7/8	9/16	3/8
14-406	3/4-16	C	3 3/4	2 7/8	3 7/8	9/16	3/8
14-407	3/4-16	D	4 3/4	2 7/8	3 7/8	9/16	3/8
14-408	1-14	B	3 3/4	2 7/8	3 7/8	9/16	3/8
14-409	1-14	C	3 3/4	2 7/8	3 7/8	9/16	3/8
14-410	1-14	D	4 3/4	2 7/8	3 7/8	9/16	3/8
14-412	1 1/8-12	B	3 3/4	2 7/8	3 7/8	9/16	3/8
14-413	1 1/8-12	C	3 3/4	2 7/8	3 7/8	9/16	3/8
14-414	1 1/8-12	D	4 3/4	2 7/8	3 7/8	9/16	3/8
14-417	1 1/4-12	B	3 3/4	3 1/4	4 7/8	9/16	1/2
14-418	1 1/4-12	C	3 3/4	3 1/4	4 7/8	9/16	1/2
14-419	1 1/4-12	D	4 3/4	3 1/4	4 7/8	9/16	1/2
14-422	1 1/2-12	B	3 3/4	3 1/4	4 7/8	9/16	1/2
14-423	1 1/2-12	C	3 3/4	3 1/4	4 7/8	9/16	1/2
14-424	1 1/2-12	D	4 3/4	3 1/4	4 7/8	9/16	1/2
14-427	1 3/4-12	B	3 3/4	3 5/8	5 7/8	9/16	1/2
14-428	1 3/4-12	C	3 3/4	3 5/8	5 7/8	9/16	1/2
14-429	1 3/4-12	D	4 3/4	3 5/8	5 7/8	9/16	1/2
14-432	2-12	B	3 3/4	3 5/8	5 7/8	9/16	1/2
14-433	2-12	C	3 3/4	3 5/8	5 7/8	9/16	1/2
14-434	2-12	D	4 3/4	3 5/8	5 7/8	9/16	1/2
14-438	2 1/4-12	B	3 3/4	3 9/16	5 3/4	3/4	1/2
14-439	2 1/4-12	C	3 3/4	3 9/16	5 3/4	3/4	1/2
14-440	2 1/4-12	D	4 3/4	3 9/16	5 3/4	3/4	1/2
14-444	2 1/2-12	B	3 3/4	3 9/16	5 3/4	3/4	1/2
14-445	2 1/2-12	C	3 3/4	3 9/16	5 3/4	3/4	1/2
14-446	2 1/2-12	D	4 3/4	3 9/16	5 3/4	3/4	1/2
14-449	2 3/4-12	B	3 3/4	4 1/8	7 3/4	3/4	5/8
14-450	2 3/4-12	C	3 3/4	4 1/8	7 3/4	3/4	5/8
14-451	2 3/4-12	D	4 3/4	4 1/8	7 3/4	3/4	5/8
14-454	3-12	B	3 3/4	4 1/8	7 3/4	1	5/8
14-455	3-12	C	3 3/4	4 1/8	7 3/4	1	5/8
14-456	3-12	D	4 3/4	4 1/8	7 3/4	1	5/8
14-460	3 1/4-12	B	3 3/4	4 1/8	7 3/4	1	5/8
14-461	3 1/4-12	C	3 3/4	4 1/8	7 3/4	1	5/8
14-462	3 1/4-12	D	4 3/4	4 1/8	7 3/4	1	5/8
14-466	3 1/2-12	B	3 3/4	4 5/8	8 1/8	1 1/8	5/8
14-467	3 1/2-12	C	3 3/4	4 5/8	8 1/8	1 1/8	5/8
14-468	3 1/2-12	D	4 3/4	4 5/8	8 1/8	1 1/8	5/8
14-472	4-12	B	3 3/4	4 5/8	8 1/8	1 1/8	5/8
14-473	4-12	C	3 3/4	4 5/8	8 1/8	1 1/8	5/8
14-474	4-12	D	4 3/4	4 5/8	8 1/8	1 1/8	5/8