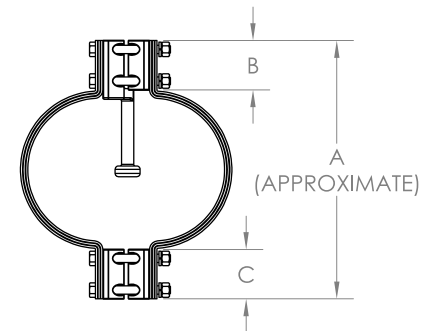
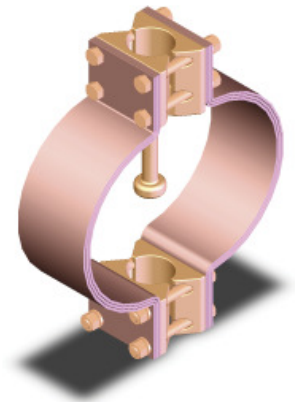


BRONZE EXPANSION COUPLER, PIPE TO PIPE

SECTION

15-2

CATALOG NUMBER	SIZE IPS	IPS TAP	DIMENSIONS IN INCHES			HARDWARE
			A	B	C	
15-101	1/2	1/2	12	3	3	3/8
15-103	3/4	3/4	12	2 3/4	2 3/4	1/2
15-106	1	1	16	3 3/16	3 3/16	1/2
15-110	1 1/4	1 1/4	16	3 1/8	3 1/8	1/2
15-114	1 1/2	1 1/2	16	3 1/16	3 1/16	1/2
15-119	2	2	16	3 1/8	3 1/8	1/2
15-124	2 1/2	2 1/2	16	4	4	5/8
15-129	3	3	16	3 15/16	3 15/16	5/8
15-135	3 1/2	3 1/2	16	3 3/4	3 3/4	5/8
15-149	4 1/2	4 1/2	18	4 3/4	4 3/4	5/8
15-157	5	5	25	5	5	5/8
15-165	6	6	26	6	6	5/8



FOR EHPS (SCH80) INTERNAL PIPE FITTINGS USE SUFFIX (H)
EX. 15-149H

A rugged connector for joining a tube to a pipe bus, the type BETT, cast of a high conductivity copper alloy for durability, also compensates for temperature variations and thus protects equipment bushings, switch gear, and insulators from expanding or contracting pressures.

Flexible shunts of laminated soft copper are designed to carry the maximum current of the bus it connects. It features silicon bronze clamping hardware for resistance to corrosion.

