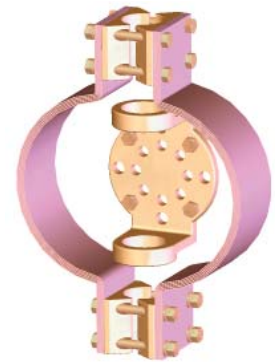


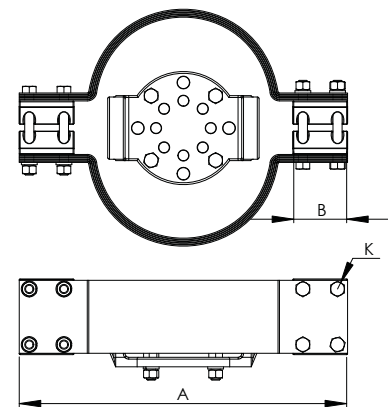
BRONZE EXPANSION COUPLERS, BUS SUPPORTS

SECTION

15-3



| CATALOG NUMBER | IPS MAIN | MOUNTING BOLT CIRCLE | DIMENSIONS IN INCHES | | |
|----------------|----------|----------------------|----------------------|---------|-----|
| | | | A | B | K |
| 15-416 | 1/2 | 3 | 12 | 3 | 3/8 |
| 15-417 | 1/2 | 5 | 12 | 3 | 3/8 |
| 15-418 | 3/4 | 3 | 12 | 2 3/4 | 1/2 |
| 15-419 | 3/4 | 5 | 12 | 2 3/4 | 1/2 |
| 15-420 | 1 | 3 | 16 | 3 3/16 | 1/2 |
| 15-421 | 1 | 5 | 16 | 3 3/16 | 1/2 |
| 15-422 | 1 1/4 | 3 | 16 | 3 1/8 | 1/2 |
| 15-423 | 1 1/4 | 5 | 16 | 3 1/8 | 1/2 |
| 15-424 | 1 1/2 | 3 | 16 | 3 1/16 | 1/2 |
| 15-425 | 1 1/2 | 5 | 16 | 3 1/16 | 1/2 |
| 15-426 | 2 | 3 | 18 | 3 1/8 | 1/2 |
| 15-427 | 2 | 5 | 18 | 3 1/8 | 1/2 |
| 15-428 | 2 1/2 | 3 | 18 | 4 | 5/8 |
| 15-429 | 2 1/2 | 5 | 18 | 4 | 5/8 |
| 15-430 | 3 | 3 | 18 | 3 15/16 | 5/8 |
| 15-431 | 3 | 5 | 18 | 3 15/16 | 5/8 |
| 15-432 | 3 1/2 | 3 | 18 | 3 3/4 | 5/8 |
| 15-433 | 3 1/2 | 5 | 18 | 3 3/4 | 5/8 |
| 15-434 | 4 | 3 | 18 | 4 5/8 | 5/8 |
| 15-435 | 4 | 5 | 18 | 4 5/8 | 5/8 |
| 15-436 | 4 1/2 | 3 | 18 | 4 3/4 | 5/8 |
| 15-437 | 4 1/2 | 5 | 18 | 4 3/4 | 5/8 |
| 15-438 | 5 | 3 | 25 | 5 1/16 | 5/8 |
| 15-439 | 5 | 5 | 25 | 5 1/16 | 5/8 |
| 15-440 | 6 | 3 | 26 | 6 | 5/8 |
| 15-441 | 6 | 5 | 26 | 6 | 5/8 |



To protect equipment bushings, switch gear, and insulators from expanding or contracting pressures, the type BEBS, which joins a pipe to a pipe bus, efficiently compensates for temperature variations.

Made of a high conductivity copper alloy for strength and durability, it features flexible shunts of laminated soft copper designed to carry the maximum current of the bus it connects.

To enhance clamping capabilities and resistance to corrosion, all bolts, nuts, and lockwashers are silicon bronze.

Steel galvanized bolts and lockwashers are supplied for mounting to the insulator cap.

FOR EHPS (SCH80) INTERNAL PIPE FITTINGS USE SUFFIX (H)
EX. 15-441H