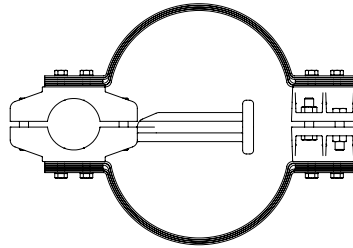
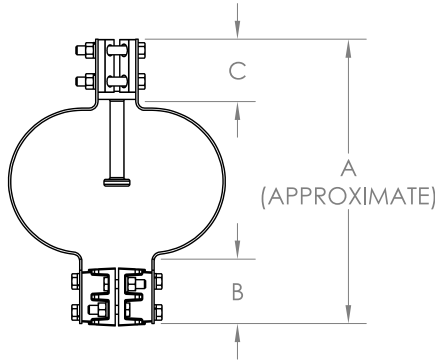


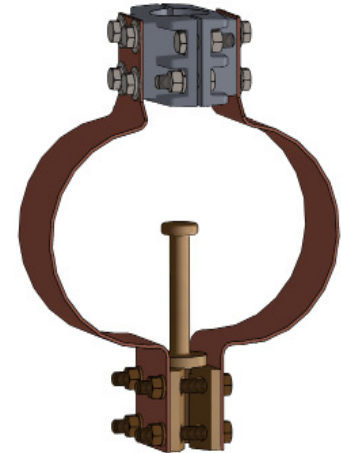
EXPANSION CONNECTORS, BRONZE STUD TO ALUMINUM PIPE

SECTION

15-4A



90 DEGREE USE
SUFFIX -90



The type AESP joins a bronze stud to an aluminum tube with maximum efficiency by also compensating for temperature variations and thereby protecting equipment bushings, switch gear, and insulators from expanding or contracting pressures.

The laminated flexible shunts are designed to withstand the maximum current of the bus it connects.

Bolts, nuts, and lockwashers made of a high strength material enhance clamping strength and resistance to corrosion in the field.

For unthreaded studs or stud sizes not listed, please specify with the order.

Continued on next page

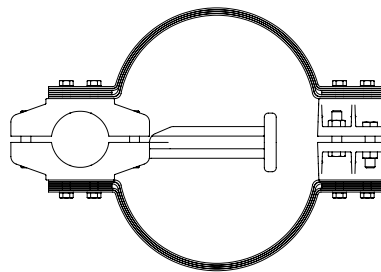
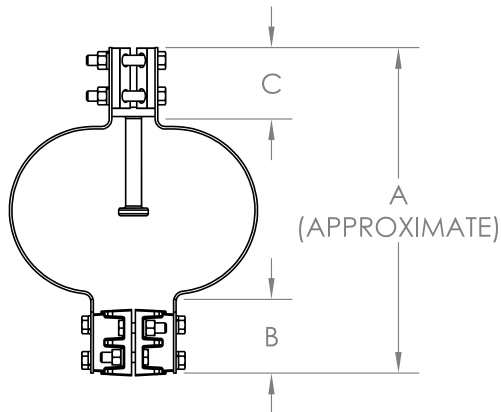
CATALOG NUMBER	STUD SIZE	IPS TAP	DIMENSIONS IN INCHES			HARDWARE
			A	B	C	
15-533	1/2-13	1/2	12	4	2	1/2 & 3/8
15-534	1/2-13	3/4	12	2 3/4	2	1/2 & 3/8
15-535	1/2-13	1	16	3 3/16	2	1/2 & 3/8
15-536	3/4-16	1/2	12	4	2	1/2 & 3/8
15-537	3/4-16	3/4	12	2 3/4	2	1/2 & 3/8
15-538	3/4-16	1	16	3 3/16	2	1/2 & 3/8
15-539	1-14	1/2	12	4	2 1/4	1/2
15-540	1-14	3/4	12	2 3/4	2 1/4	1/2
15-541	1-14	1	16	3 3/16	2 1/4	1/2
15-542	1-14	1 1/4	16	3 1/8	2 1/4	1/2
15-543	1 1/8-12	1/2	12	4	2 1/4	1/2
15-544	1 1/8-12	3/4	12	2 3/4	2 1/4	1/2
15-545	1 1/8-12	1	16	3 3/16	2 1/4	1/2
15-546	1 1/8-12	1 1/4	16	3 1/8	2 1/4	1/2
15-547	1 1/4-12	1/2	12	4	2 1/2	1/2
15-548	1 1/4-12	3/4	12	2 3/4	2 1/2	1/2
15-549	1 1/4-12	1	16	3 3/16	2 1/2	1/2
15-550	1 1/4-12	1 1/4	16	3 1/8	2 1/2	1/2
15-551	1 1/4-12	1 1/2	16	3 1/16	2 1/2	1/2
15-552	1 1/2-12	1/2	12	4	2 1/2	1/2
15-553	1 1/2-12	3/4	12	2 3/4	2 1/2	1/2
15-554	1 1/2-12	1	16	3 3/16	2 1/2	1/2
15-555	1 1/2-12	1 1/4	16	3 1/8	2 1/2	1/2
15-556	1 1/2-12	1 1/2	16	3 1/16	2 1/2	1/2
15-557	1 1/2-12	2	16	3 1/8	2 1/2	1/2
15-558	1 3/4-12	3/4	12	2 3/4	2 1/2	1/2
15-559	1 3/4-12	1	16	3 3/16	2 1/2	1/2
15-560	1 3/4-12	1 1/4	16	3 1/8	2 1/2	1/2
15-561	1 3/4-12	1 1/2	16	3 1/16	2 1/2	1/2
15-562	1 3/4-12	2	16	3 1/8	2 1/2	1/2
15-563	2-12	1	16	3 3/16	2 1/2	5/8 & 1/2
15-564	2-12	1 1/4	16	3 1/8	2 1/2	5/8 & 1/2
15-565	2-12	1 1/2	16	3 1/16	2 1/2	5/8 & 1/2
15-566	2-12	2	16	3 1/8	2 1/2	5/8 & 1/2
15-567	2-12	2 1/2	16	4	2 1/2	5/8

FOR EHPS (SCH80) INTERNAL PIPE FITTINGS USE SUFFIX (H)
EX. 15-567H

SECTION

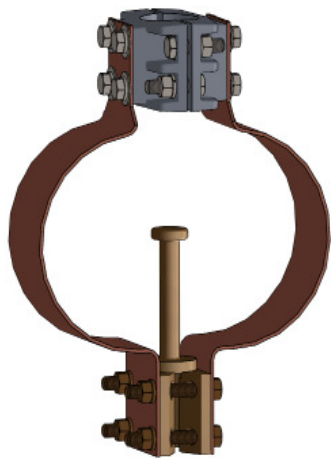
15-4A

EXPANSION CONNECTORS,
BRONZE STUD TO ALUMINUM PIPE



90 DEGREE USE
SUFFIX -90

Continued from previous page



CATALOG NUMBER	STUD SIZE	PIPE SIZE IPS	DIMENSIONS IN INCHES			HARDWARE
			A	B	C	
15-568	2 1/4-12	1 1/4	12	3 1/8	2 1/2	5/8 & 1/2
15-569	2 1/4-12	1 1/2	12	3 1/16	2 1/2	5/8 & 1/2
15-570	2 1/4-12	2	12	3 1/8	2 1/2	5/8 & 1/2
15-571	2 1/4-12	2 1/2	14	4	2 1/2	5/8
15-572	2 1/2-12	1 1/2	12	3 1/16	2 1/2	5/8 & 1/2
15-573	2 1/2-12	2	12	3 1/8	2 1/2	5/8 & 1/2
15-574	2 1/2-12	2 1/2	14	4	2 1/2	5/8
15-575	2 1/2-12	3	14	3 15/16	2 1/2	5/8
15-576	2 3/4-12	1 1/2	12	3 1/16	3 1/4	5/8 & 1/2
15-577	2 3/4-12	2	12	3 1/8	3 1/4	5/8 & 1/2
15-578	2 3/4-12	2 1/2	14	4	3 1/4	5/8
15-579	2 3/4-12	3	14	3 15/16	3 1/4	5/8
15-580	2 3/4-12	3 1/2	14	3 3/4	3 1/4	5/8
15-581	3-12	2	12	3 1/8	3 1/4	5/8 & 1/2
15-582	3-12	2 1/2	14	4	3 1/4	5/8
15-583	3-12	3	14	3 15/16	3 1/4	5/8
15-584	3-12	3 1/2	14	3 3/4	3 1/4	5/8
15-585	3-12	4	14	4 5/8	3 1/4	5/8
15-586	3 1/4-12	2 1/2	14	4	3 1/4	5/8
15-587	3 1/4-12	3	14	3 15/16	3 1/4	5/8
15-588	3 1/4-12	3 1/2	14	3 3/4	3 1/4	5/8
15-589	3 1/4-12	4	14	4 5/8	3 1/4	5/8
15-590	3 1/2-12	2 1/2	14	4	3 1/2	5/8
15-591	3 1/2-12	3	14	3 15/16	3 1/2	5/8
15-592	3 1/2-12	3 1/2	14	3 3/4	3 1/2	5/8
15-593	3 1/2-12	4	14	4 5/8	3 1/2	5/8
15-594	4-12	2 1/2	14	4	3 1/2	5/8
15-595	4-12	3	14	3 15/16	3 1/2	5/8
15-596	4-12	3 1/2	14	3 3/4	3 1/2	5/8
15-597	4-12	4	14	4 5/8	3 1/2	5/8

FOR EHPS (SCH80) INTERNAL
PIPE FITTINGS USE SUFFIX (H)
EX. 15-597H