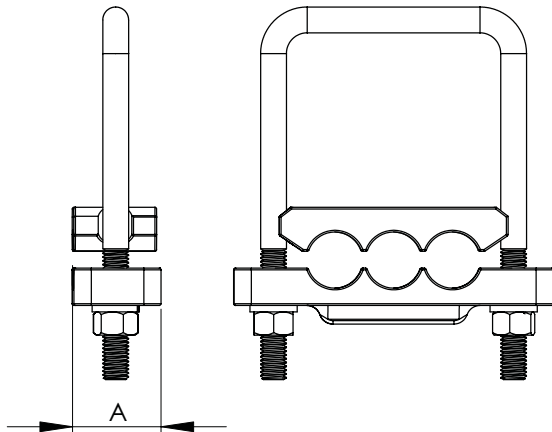


BRONZE GROUND CLAMPS CABLE TO SQUARE POST

SECTION

17-4



BRONZE GROUND CLAMPS CABLE TO SQUARE POST					
CATALOG NUMBER	POST SIZE	CABLE SIZE AWG or MCM		DIMENSIONS IN INCHES	
		Min.	Max.	A	Hardware
17-184	2 1/4 x 2 1/4	8	4	1 1/8	3/8
17-185	2 1/4 x 2 1/4	4	2/0	1 1/8	3/8
17-186	2 1/4 x 2 1/4	2/0	250	1 1/8	3/8
17-187	2 1/4 x 2 1/4	250	500	1 1/2	3/8
17-188	2 1/4 x 2 1/4	500	750	1 1/2	3/8
17-189	2 1/4 x 2 1/4	750	1000	1 1/2	3/8
17-190	2 1/2 x 2 1/2	8	4	1 1/8	3/8
17-191	2 1/2 x 2 1/2	4	2/0	1 1/8	3/8
17-192	2 1/2 x 2 1/2	2/0	250	1 1/8	3/8
17-193	2 1/2 x 2 1/2	250	500	1 1/2	3/8
17-194	2 1/2 x 2 1/2	500	750	1 1/2	3/8
17-195	2 1/2 x 2 1/2	750	1000	1 1/2	3/8

A dependable, corrosion-resistant bronze ground clamp, the Type GCS connects one, two, or three equal cables clamped parallel to a square post. Stainless steel U-bolts, nuts, and lockwashers enhance its durability in the field.

