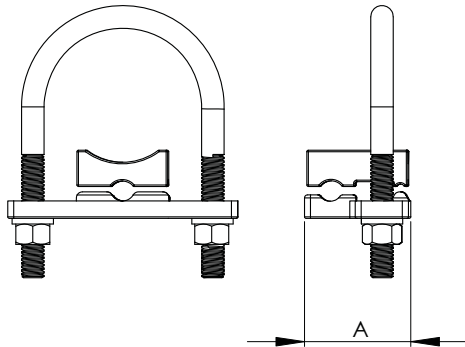


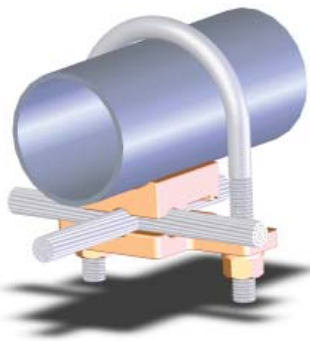
SECTION

17-5

**BRONZE GROUND CLAMPS CABLE TO ROD OR PIPE, PARALLEL OR PERPENDICULAR**



The Type GCX is a cast electrical bronze grounding clamp whose purpose is to connect one cable, either parallel or perpendicular, to a ground rod or pipe. For resistance to corrosion, all clamping hardware is stainless steel.



Continued on next page

BRONZE GROUND CLAMPS CABLE TO ROD OR PIPE						
CATALOG NUMBER	ROD DIAM. IN INCHES	PIPE SIZE IPS	CABLE SIZE		DIMENSIONS IN INCHES	
			AWG	MCM	A	Hardware
			Min.	Max.		
17-200	1/2 - 3/4	1/4-3/8	8	4	1 1/8	3/8
17-201	1/2 - 3/4	1/4-3/8	4	2/0	1 5/8	3/8
17-202	1/2 - 3/4	1/4-3/8	2/0	250	1 7/8	3/8
17-203	1/2 - 3/4	1/4-3/8	250	500	2 1/4	3/8
17-204	7/8	1/2	8	4	1 1/8	3/8
17-205	7/8	1/2	4	2/0	1 5/8	3/8
17-206	7/8	1/2	2/0	250	1 7/8	3/8
17-207	7/8	1/2	250	500	2 1/4	3/8
17-208	1	3/4	8	4	1 1/8	3/8
17-209	1	3/4	4	2/0	1 5/8	3/8
17-210	1	3/4	2/0	250	1 7/8	3/8
17-211	1	3/4	250	500	2 1/4	3/8
17-212	1 1/4	1	8	4	1 1/8	3/8
17-213	1 1/4	1	4	2/0	1 5/8	3/8
17-214	1 1/4	1	2/0	250	1 7/8	3/8
17-215	1 1/4	1	250	500	2 1/4	3/8
17-216	1 1/2	1 1/4	8	4	1 5/8	3/8
17-217	1 1/2	1 1/4	4	2/0	1 5/8	3/8
17-218	1 1/2	1 1/4	2/0	250	1 7/8	3/8
17-219	1 1/2	1 1/4	250	500	2 1/4	3/8
17-220	1 1/2	1 1/4	500	750	2 5/8	3/8
17-221	2	1 1/2	8	4	1 3/8	3/8
17-222	2	1 1/2	4	2/0	1 5/8	3/8
17-223	2	1 1/2	2/0	250	1 3/4	3/8
17-224	2	1 1/2	250	500	2 1/4	3/8
17-225	2	1 1/2	500	750	2 5/8	3/8
17-226	2 1/2	2	8	4	1 5/8	3/8
17-227	2 1/2	2	4	2/0	1 3/4	3/8
17-228	2 1/2	2	2/0	250	1 3/4	3/8
17-229	2 1/2	2	250	500	2 1/4	3/8
17-230	2 1/2	2	500	750	2 5/8	3/8
17-231	3	2 1/2	8	4	1 1/8	3/8

# BRONZE GROUND CLAMPS CABLE TO ROD OR PIPE, PARALLEL OR PERPENDICULAR

## SECTION 17-5

Continued from previous page

BRONZE GROUND CLAMPS CABLE TO ROD OR PIPE						
	ROD DIAM.	PIPE SIZE	CABLE SIZE		DIMENSIONS IN INCHES	
	IN INCHES	IPS	AWG	MCM	A	Hardware
			Min.	Max.		
17-232	3	2 1/2	4	2/0	1 1/2	3/8
17-233	3	2 1/2	2/0	250	1 3/4	3/8
17-234	3	2 1/2	250	500	2 1/4	3/8
17-235	3	2 1/2	500	750	2 5/8	3/8
17-236	3	2 1/2	750	1000	2 7/8	3/8
17-237	3 1/2	3	8	4	1 5/8	3/8
17-238	3 1/2	3	4	2/0	1 5/8	3/8
17-239	3 1/2	3	2/0	250	1 3/4	3/8
17-240	3 1/2	3	250	500	2 1/4	3/8
17-241	3 1/2	3	500	750	2 5/8	3/8
17-242	3 1/2	3	750	1000	2 7/8	3/8
17-243	4	3 1/2	8	4	1 3/4	3/8
17-244	4	3 1/2	4	2/0	1 3/4	3/8
17-245	4	3 1/2	2/0	250	1 7/8	3/8
17-246	4	3 1/2	250	500	2 1/4	3/8
17-247	4	3 1/2	500	750	2 5/8	3/8
17-248	4	3 1/2	750	1000	2 7/8	3/8
17-249	4 1/2	4	8	4	1 5/8	3/8
17-250	4 1/2	4	4	2/0	1 5/8	3/8
17-251	4 1/2	4	2/0	250	1 7/8	3/8
17-252	4 1/2	4	250	500	2 1/4	3/8
17-253	4 1/2	4	500	750	2 5/8	3/8
17-254	4 1/2	4	750	1000	2 7/8	3/8
17-255	5 1/2	5	8	4	1 5/8	3/8
17-256	5 1/2	5	4	2/0	1 5/8	3/8
17-257	5 1/2	5	2/0	250	1 7/8	3/8
17-258	5 1/2	5	250	500	2 1/4	3/8
17-259	5 1/2	5	500	750	2 5/8	3/8
17-260	5 1/2	5	750	1000	2 7/8	3/8
17-261	6 1/2	6	8	4	1 1/8	3/8
17-262	6 1/2	6	4	2/0	1 5/8	3/8
17-263	6 1/2	6	2/0	250	1 7/8	3/8
17-264	6 1/2	6	250	500	2 1/4	3/8
17-265	6 1/2	6	500	750	2 5/8	3/8
17-266	6 1/2	6	750	1000	2 7/8	3/8

